

REFERENCE MANUAL



> DS2400N



Datalogic Automation Srl
Via Lavino, 265
40050 - Monte S. Pietro
Bologna - Italy

DS2400N Reference Manual

Ed.: 11/2013

© 2007 – 2013 Datalogic Automation S.r.l. ♦ ALL RIGHTS RESERVED. ♦ Protected to the fullest extent under U.S. and international laws. Copying, or altering of this document is prohibited without express written consent from Datalogic Automation S.r.l.

Datalogic and the Datalogic logo are registered trademarks of Datalogic S.p.A. in many countries, including the U.S.A. and the E.U.

ID-NET, Genius and X-PRESS are trademarks of Datalogic Automation S.r.l. All other brand and product names mentioned herein are for identification purposes only and may be trademarks or registered trademarks of their respective owners.

Datalogic shall not be liable for technical or editorial errors or omissions contained herein, nor for incidental or consequential damages resulting from the use of this material.

19/11/13

CONTENTS

| | |
|--|-----------|
| REFERENCES | v |
| Conventions | v |
| Reference Documentation | v |
| Support Through The Website | v |
| Patents | v |
| SAFETY AND COMPLIANCE NOTICES..... | vi |
| Laser Safety..... | vi |
| FCC Compliance..... | vii |
| Power Supply..... | vii |
| CE Compliance..... | viii |
| Handling..... | viii |
| GENERAL VIEW | x |
| 1 RAPID CONFIGURATION..... | 1 |
| Step 1 – Connect the System..... | 1 |
| Step 2 – Mounting and Positioning the System | 4 |
| Step 3 – X-PRESS™ Configuration | 5 |
| Step 4 – Installing Genius™ Configuration Program | 8 |
| Step 5 – Test Mode..... | 13 |
| Advanced Scanner Configuration..... | 14 |
| 2 INTRODUCTION | 15 |
| 2.1 Product Description..... | 15 |
| 2.1.1 Indicators | 16 |
| 2.2 ID-NET™ | 16 |
| 2.2.1 How To Setup/Configure the Scanner Network | 18 |
| 2.3 X-PRESS™ Human Machine Interface | 19 |
| 2.3.1 Diagnostic Indication..... | 19 |
| 2.3.2 X-PRESS™ Functions | 20 |
| 2.4 Subzero Temperature Models..... | 22 |
| 2.5 Model Description | 23 |
| 2.6 Accessories | 24 |
| 3 INSTALLATION..... | 25 |
| 3.1 Package Contents..... | 25 |
| 3.2 Mechanical Installation..... | 26 |
| 3.2.1 Mounting DS2400N..... | 27 |
| 3.2.2 Mounting a GFC-2020 Accessory Lateral Output Deflection Mirror | 28 |
| 3.2.3 Mounting a GFC-2100 Accessory Lateral Output Deflection Mirror | 29 |
| 3.2.4 Mounting a GFC-200 Accessory Contact Reading Mirror | 30 |
| 3.2.5 Mounting an OM2000N Accessory Oscillating Mirror | 33 |
| 3.3 Positioning | 36 |
| 4 CBX ELECTRICAL CONNECTIONS..... | 37 |
| 4.1 Power Supply..... | 38 |
| 4.2 Main Serial Interface | 38 |
| 4.2.1 RS232 Interface | 39 |
| 4.2.2 RS485 Full-Duplex Interface | 40 |
| 4.2.3 RS485 Half-Duplex Interface..... | 41 |
| 4.3 ID-NET™ Interface | 43 |

| | | |
|-----------|---|------------|
| 4.3.1 | ID-NET™ Cables | 43 |
| 4.3.2 | ID-NET™ Response Time | 44 |
| 4.3.3 | ID-NET™ Network Termination..... | 48 |
| 4.4 | Auxiliary RS232 Interface..... | 48 |
| 4.5 | Inputs..... | 49 |
| 4.5.1 | Code Verifier..... | 52 |
| 4.6 | Outputs | 52 |
| 4.7 | User Interface - Host..... | 54 |
| 5 | 25-PIN CABLE ELECTRICAL CONNECTIONS..... | 55 |
| 5.1 | Power Supply..... | 56 |
| 5.2 | Main Serial Interface | 56 |
| 5.2.1 | RS232 Interface | 57 |
| 5.2.2 | RS485 Full-Duplex Interface | 58 |
| 5.2.3 | RS485 Half-Duplex Interface..... | 59 |
| 5.3 | ID-NET™ Interface | 61 |
| 5.3.1 | ID-NET™ Cables | 61 |
| 5.3.2 | ID-NET™ Response Time | 62 |
| 5.3.3 | ID-NET™ Network Termination..... | 66 |
| 5.4 | Auxiliary RS232 Interface..... | 66 |
| 5.5 | Inputs..... | 67 |
| 5.5.1 | Code Verifier..... | 70 |
| 5.6 | Outputs | 70 |
| 5.7 | User Interface - Host..... | 71 |
| 6 | TYPICAL LAYOUTS..... | 72 |
| 6.1 | Point-to-Point | 72 |
| 6.2 | Pass-Through | 74 |
| 6.3 | ID-NET™ | 76 |
| 6.4 | RS232 Master/Slave | 82 |
| 6.5 | Multiplexer Layout..... | 83 |
| 7 | READING FEATURES | 84 |
| 7.1 | Advanced Code Reconstruction (ACR-Lite) | 84 |
| 7.1.1 | Important ACR-Lite Reading Conditions..... | 85 |
| 7.1.2 | Tilt Angle for Advanced Code Reconstruction | 85 |
| 7.1.3 | Advanced Code Reconstruction Reading Conditions | 87 |
| 7.2 | Linear Code Reading | 88 |
| 7.2.1 | Step-Ladder Mode | 88 |
| 7.2.2 | Picket-Fence Mode | 89 |
| 7.3 | Performance | 90 |
| 7.3.1 | Raster | 90 |
| 7.4 | Reading Diagrams | 91 |
| 8 | MAINTENANCE | 94 |
| 8.1 | Cleaning..... | 94 |
| 9 | TROUBLESHOOTING..... | 95 |
| 9.1 | General Guidelines | 95 |
| 10 | TECHNICAL FEATURES | 98 |
| | GLOSSARY..... | 100 |
| | INDEX..... | 103 |

REFERENCES

CONVENTIONS

This manual uses the following conventions:

“User” or “Operator” refers to anyone using a DS2400N.

“Device” refers to the DS2400N.

“You” refers to the System Administrator or Technical Support person using this manual to install, mount, operate, maintain or troubleshoot a DS2400N.

REFERENCE DOCUMENTATION

The documentation related to the DS2400N management is listed below:

- CBX100 Installation Manual
- CBX100 LT Installation Manual (for Subzero models)
- CBX500 Installation Manual
- CBX Accessory Manuals
- OM2000N Installation Manual
- Genius™ Help On Line

SUPPORT THROUGH THE WEBSITE

Datalogic provides several services as well as technical support through its website. Log on to www.datalogic.com and click on the **Industrial Automation** [links](#) for further information:

- **Products - Industrial Automation - Identification**

Select your product from the links on the **Identification** page. The product page describes specific Info, Features, Applications, Models, Accessories, and Downloads including documentation, software drivers, and the [Genius™](#) utility program, which allows device configuration using a PC through Serial and Ethernet interfaces.

- **Support & Services - Industrial Automation**

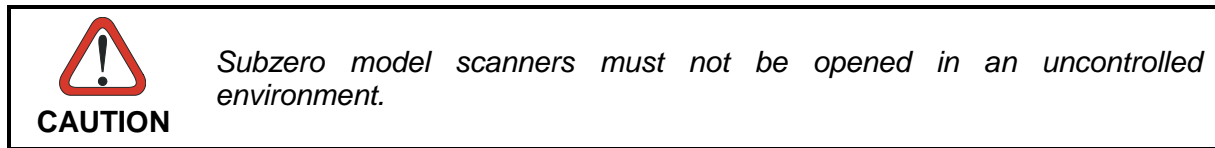
Several links from the **Industrial Automation** list take you to additional services such as: [Service Program](#) which contains Maintenance Agreements and Warranty Extensions; [Repair Centers](#); [On-Line RMA](#) Return Material Authorizations; [Technical Support](#) through email or phone, [Partner Program](#); [Downloads](#) for additional downloads.

PATENTS

This product is covered by one or more of the following patents:

Utility patents: US5992740A; US6443360B1; US6056198A; US6273336B1; EP0789315B1; EP1217571B1; GB2345568B

SAFETY AND COMPLIANCE NOTICES



LASER SAFETY

The following information is provided to comply with the rules imposed by international authorities and refers to the correct use of the DS2400N scanner.

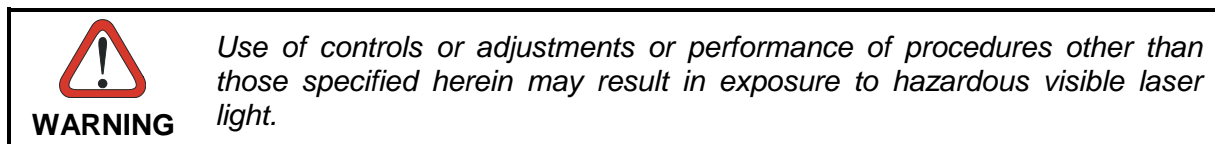
Standard Regulations

This scanner utilizes a low-power laser diode. Although staring directly at the laser beam momentarily causes no known biological damage, avoid staring at the beam as one would with any very strong light source, such as the sun. Avoid that the laser beam hits the eye of an observer, even through reflective surfaces such as mirrors, etc.

This product conforms to the applicable requirements of IEC 60825-1 and complies with 21 CFR 1040.10 except for deviations pursuant to Laser Notice N° 50, date June 24, 2007. The scanner is classified as a Class 2 laser product according to IEC 60825-1 regulations.

There is a safety device, which allows the laser to be switched on only if the motor is rotating above the threshold for its correct scanning speed.

The laser beam can be switched off through a software command (see also the Genius™ Help On Line).



The laser light is visible to the human eye and is emitted from the window on the front of the scanner ([Figure A, 7](#)).

Warning labels indicating exposure to laser light and the device classification are applied onto the body of the scanner ([Figure A, 1](#)).

Disconnect the power supply when opening the device during maintenance or installation to avoid exposure to hazardous laser light.

The laser diode used in this device is classified as a class 3B laser product according to EN 60825-1 regulations and as a Class IIIb laser product according to CDRH regulations.

Any violation of the optic parts in particular can cause radiation up to the maximum level of the laser diode (35 mW at 630 to 680 nm).



Warning and Device Class Labels

FCC COMPLIANCE

Modifications or changes to this equipment without the expressed written approval of Datalogic could void the authority to use the equipment.

This device complies with PART 15 of the FCC Rules. Operation is subject to the following two conditions: (1) This device may not cause harmful interference, and (2) this device must accept any interference received, including interference which may cause undesired operation.

This equipment has been tested and found to comply with the limits for a Class A digital device, pursuant to part 15 of the FCC Rules. These limits are designed to provide reasonable protection against harmful interference when the equipment is operated in a commercial environment. This equipment generates, uses, and can radiate radio frequency energy and, if not installed and used in accordance with the instruction manual, may cause harmful interference to radio communications. Operation of this equipment in a residential area is likely to cause harmful interference in which case the user will be required to correct the interference at his own expense.

POWER SUPPLY

This product is intended to be installed by Qualified Personnel only.

This accessory device is intended to be supplied by a UL Listed or CSA Certified Power Unit with «Class 2» or LPS power source, which supplies power directly to the scanner via the 25-pin connector.

CE COMPLIANCE

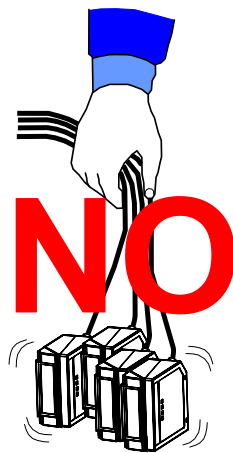
Warning:

This is a Class A product. In a domestic environment this product may cause radio interference in which case the user may be required to take adequate measures.

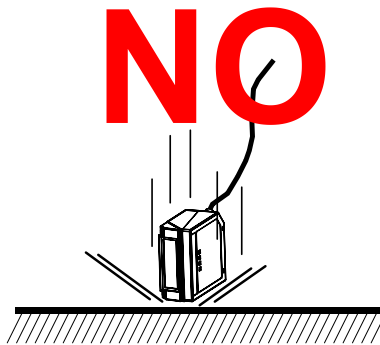
HANDLING

The DS2400N is designed to be used in an industrial environment and is built to withstand vibration and shock when correctly installed, however it is also a precision product and therefore before and during installation it must be handled correctly to avoid damage.

- avoid that the scanners hit one another causing damage. They should be handled separately.

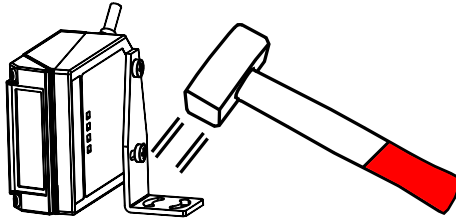


- avoid that the scanners are dropped (exceeding shock limits).



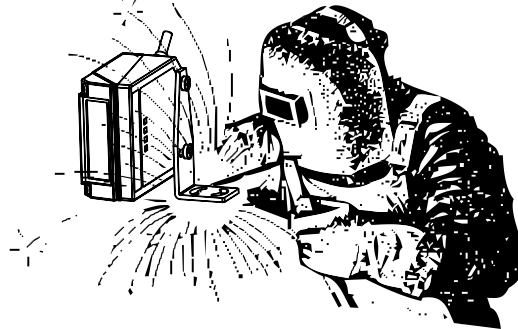
- do not fine tune the positioning by striking the scanner or bracket.

NO



- do not weld the scanner into position which can cause electrostatic, heat or output window damage.

NO



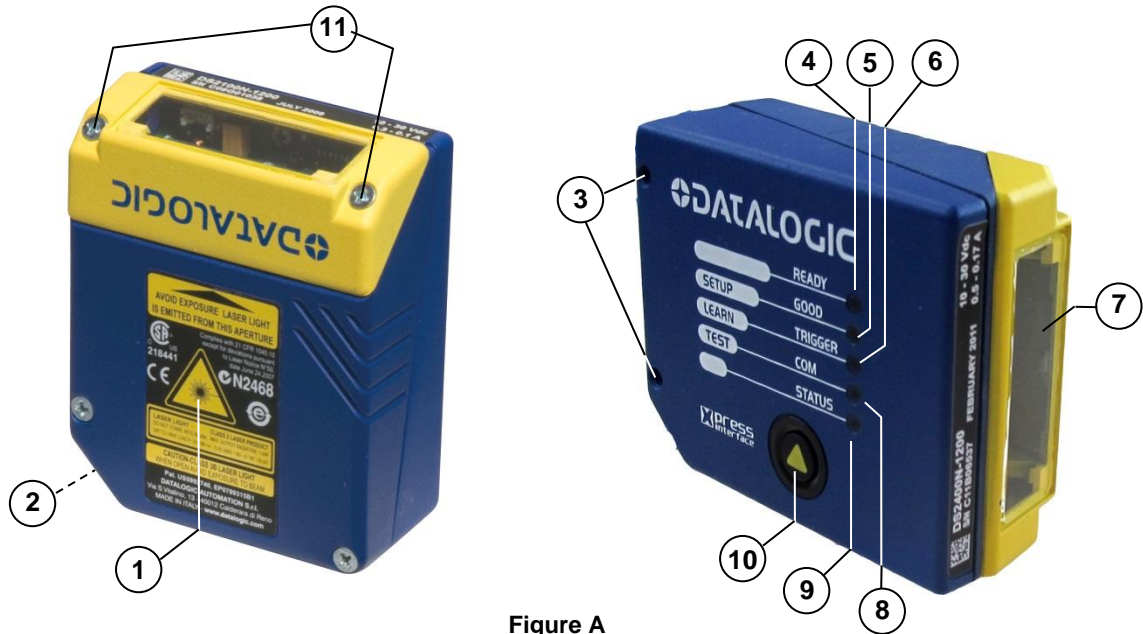
- do not spray paint near the scanner which can cause output window damage.

NO



GENERAL VIEW

DS2400N



- | | | | |
|---|---------------------------------|---|--------------------------|
| ① | Warning and Device Class Labels | ⑦ | Laser Beam Output Window |
| ② | "POWER ON" LED | ⑧ | "COM" LED |
| ③ | Mounting Holes | ⑨ | "STATUS" LED |
| ④ | "READY" LED | ⑩ | X-PRESS™ Push Button |
| ⑤ | "GOOD" LED | ⑪ | Accessory Mounting Holes |
| ⑥ | "TRIGGER" LED | | |


DS2400N Subzero



Figure A

- | | | | |
|---|---------------------------------|---|--------------------------|
| ① | Warning and Device Class Labels | ⑦ | Laser Beam Output Window |
| ② | "POWER ON" LED | ⑧ | "COM" LED |
| ③ | Mounting Holes | ⑨ | Subzero Model Logo |
| ④ | "READY" LED | ⑩ | "STATUS" LED |
| ⑤ | "GOOD" LED | ⑪ | X-PRESS™ Push Button |
| ⑥ | "TRIGGER" LED | | |

1 RAPID CONFIGURATION

NOTE  This chapter illustrates a Stand Alone application. For other types of installations, such as ID-NET™, Fieldbus, Pass-Through, Multiplexer Layout, etc., refer to chapters 4, 5 and 6. For complete scanner configuration using the Genius™ configuration program, refer to the Context-Sensitive Help On-Line.

STEP 1 – CONNECT THE SYSTEM

To connect the system in a Stand Alone configuration, you need the hardware indicated in Figure 1.

In this layout the data is transmitted to the Host on the main serial interface.

In Local Echo communication mode, data is transmitted on the RS232 auxiliary interface independently from the main interface selection.

When On-Line Operating mode is used, the scanner is activated by an External Trigger (photoelectric sensor) when the object enters its reading zone.

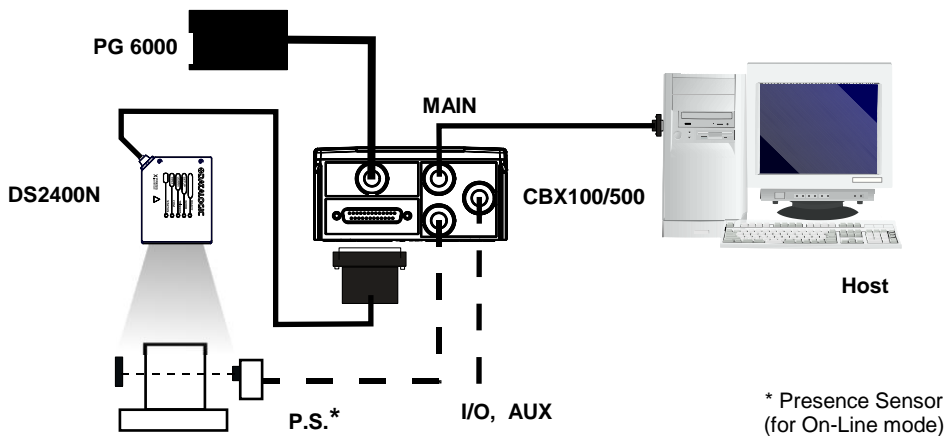


Figure 1 – DS2400N in Stand Alone Layout

CBX100/500 Pinout for DS2400N

The table below gives the pinout of the CBX100/500 terminal block connectors. Use this pinout when the DS2400N reader is connected by means of the CBX100/500:

| CBX100/500 Terminal Block Connectors | | | |
|--------------------------------------|---|----------------------------|-------------------------------|
| Input Power | | Outputs | |
| Vdc | Power Supply Input Voltage + | +V | Power Source - Outputs |
| GND | Power Supply Input Voltage - | -V | Power Reference - Outputs |
| Earth | Protection Earth Ground | O1+ | Output 1 + |
| | | O1- | Output 1 - |
| Inputs | | O2+ | Output 2 + |
| +V | Power Source – External Trigger | O2- | Output 2 - |
| I1A | External Trigger A (polarity insensitive) | Auxiliary Interface | |
| I1B | External Trigger B (polarity insensitive) | TX | Auxiliary Interface TX |
| -V | Power Reference – External Trigger | RX | Auxiliary Interface RX |
| +V | Power Source – Inputs | SGND | Auxiliary Interface Reference |
| I2A | Input 2 A (polarity insensitive) | ID-NET™ | |
| I2B | Input 2 B (polarity insensitive) | REF | Network Reference |
| -V | Power Reference – Inputs | ID+ | ID-NET™ network + |
| Shield | | ID- | ID-NET™ network - |
| Shield | Network Cable Shield | | |
| Main Interface | | | |
| | RS232 | RS485 Full-Duplex | RS485 Half-Duplex |
| | TX | TX+ | RTX+ |
| | RTS | TX- | RTX- |
| | RX | *RX+ | |
| | CTS | *RX- | |
| | SGND | SGND | SGND |

* Do not leave floating, see par. 4.2.2 for connection details.



CAUTION

Do not connect GND, SGND and REF to different (external) ground references. GND, SGND and REF are internally connected through filtering circuitry which can be permanently damaged if subjected to voltage drops over 0.8 Vdc.

25-pin Connector Pinout for DS2400N

The table below gives the pinout of the 25-pin male D-sub connector for connection to the power supply and input/output signals. Use this pinout when the DS2400N reader is connected by means of the 25-pin connector:

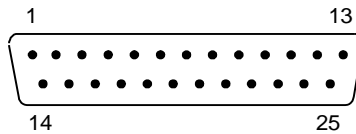


Figure 2 - 25-pin Male D-sub Connector

| 25-pin D-sub male connector pinout | | | | |
|------------------------------------|-----------------------------------|---|-------------------|-------------------|
| Pin | Name | Function | | |
| 13, 9 | Vdc | Power supply input voltage + | | |
| 25, 7 | GND | Power supply input voltage - | | |
| 1 | CHASSIS | Cable shield connected to chassis | | |
| 18 | I1A | External Trigger A (polarity insensitive) | | |
| 19 | I1B | External Trigger B (polarity insensitive) | | |
| 6 | I2A | Input 2 A (polarity insensitive) | | |
| 10 | I2B | Input 2 B (polarity insensitive) | | |
| 8 | O1+ | Output 1 + | | |
| 22 | O1- | Output 1 - | | |
| 11 | O2+ | Output 2 + | | |
| 12 | O2- | Output 2 - | | |
| 20 | RX | Auxiliary RS232 RX | | |
| 21 | TX | Auxiliary RS232 TX | | |
| 23 | ID+ | ID-NET™ network + | | |
| 24 | ID- | ID-NET™ network - | | |
| 14, 15, 16, 17 | NC | Not Connected | | |
| Pin | Name | RS232 | RS485 Full-Duplex | RS485 Half-Duplex |
| 2 | MAIN INTERFACE (SW SELECTABLE) | TX | TX+ | RTX+ |
| 3 | | RX | *RX+ | RTX- |
| 4 | | RTS | TX- | |
| 5 | | CTS | *RX- | |

* Do not leave floating, see par. 5.2.2 for connection details.

STEP 2 – MOUNTING AND POSITIONING THE SYSTEM

1. To mount the DS2400N, use the mounting bracket to obtain the most suitable position for the reader as shown in the figures below.

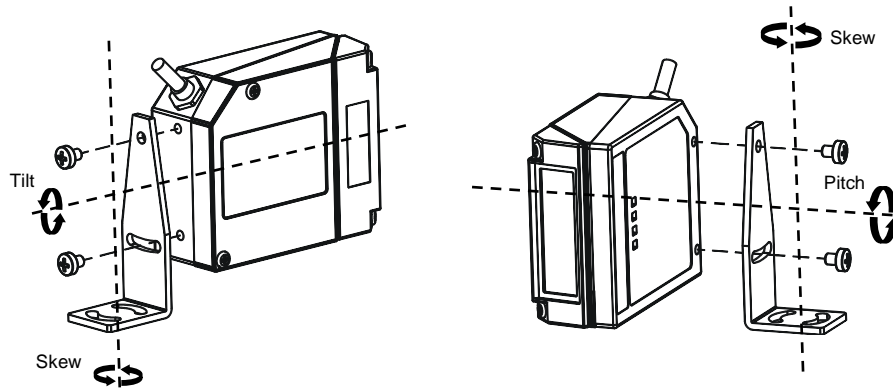


Figure 3 - Positioning with Mounting Bracket

2. When mounting the DS2400N take into consideration these three ideal label position angles: **Skew 10° to 30°, Tilt 0° and Pitch 0°.**

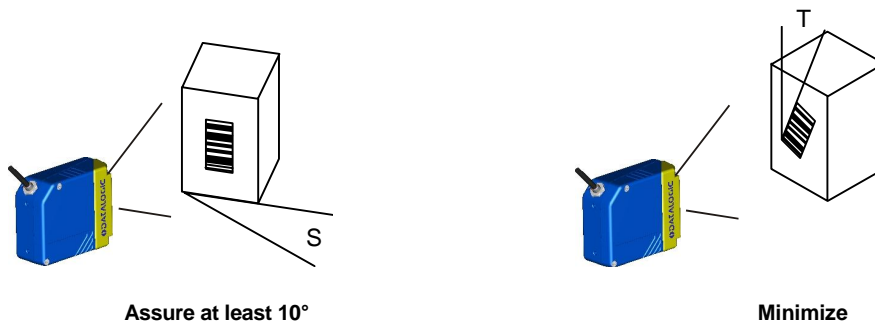
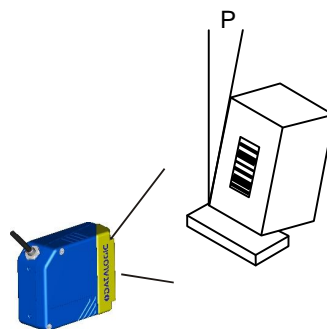


Figure 4 –Skew and Tilt Angles



Minimize
Figure 5 – Pitch Angle

3. Refer to the Reading Diagrams in par. 7.4 to decide the distance your scanner should be positioned at.


STEP 3 – X-PRESS™ CONFIGURATION

X-PRESS™ is the intuitive Human Machine Interface designed to improve ease of installation and maintenance.

Status and diagnostic information are clearly presented by means of the five colored LEDs, whereas the single push button gives immediate access to the following relevant functions:

- *AutoSetup* to self-optimize and auto-configure reading performance in demanding applications
- *AutoLearn* to self-detect and auto-configure for reading unknown barcodes (by type and length)
- *Test Mode* with bar-graph visualization to check static reading performance





NOTE *If using the OM2000N accessory, when entering the X-PRESS™ interface, the Oscillating Mirror remains in the default fixed position (-15°) in order to make barcode reading easier while performing the X-PRESS™ functions.*

The colors and meaning of the five LEDs are illustrated in the following table:

| | |
|------------------|---|
| READY (green) | This LED indicates the device is ready to operate. For Subzero models this LED blinks during the warm-up phase. |
| GOOD (green) | This LED confirms successful reading. |
| TRIGGER (yellow) | This LED indicates the status of the reading phase. * |
| COM (yellow) | This LED indicates active communication on main serial port. ** |
| STATUS (red) | This LED indicates a NO READ result. |

* In On-Line mode the TRIGGER LED corresponds to the active reading phase signaled by the Presence Sensor. In Automatic and Continuous modes the TRIGGER LED is always on indicating that the reader is ready to read a code.

** When connected to a Fieldbus network through the CBX500, the COM LED is always active, even in the absence of data transmission, because of polling activity on the Fieldbus network.

During the reader startup (reset or restart phase), all the LEDs blink for one second.

On the back of the reader near the cable, the “POWER ON” LED indicates the laser scanner is correctly powered.

Auto Learn

If you are configuring your scanner using X-PRESS™, you must start with the *Auto Learn* procedure.

1. Enter the *Auto Learn* function by holding the X-PRESS™ push button pressed until the LEARN LED is on.
2. Release the button to enter the *Auto Learn* function.
Once entered, the reader starts a procedure to automatically detect and recognize barcodes (by type and length), which are presented to it (*). The laser turns on and the LEARN LED blinks to indicate the ongoing process.

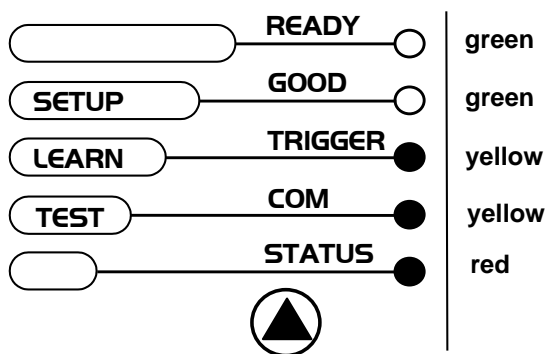


Figure 6 – X-PRESS™ Interface: Auto Learn Function

The procedure is as follows:

- A) **place** the desired barcode on the scanline.
- B) **wait** until the LEARN LED stays steady on (indicating the reader has detected the barcode).
- C) **repeat**, if needed, the above two steps to program up to 10 different barcodes (the LEARN LED returns to the blinking state for the next code). If more than one barcode is detected in the scan line, the Multi Label mode is enabled (refer to the “2K/4K Family Software Configuration Parameter Guide” Help file).

3. **Exit** the process by pressing the X-PRESS™ push button once. The scanner will restart at the end of the process, and then the detected barcodes are automatically configured in scanner memory.



NOTE

If the barcode cannot be read because of low contrast or excessive ambient light, you can perform the AutoSetup function to optimize the optical parameters. Then you can perform AutoLearn to recognize the barcode symbology.



NOTE

On exit from Autolearn, the following parameters are forced: Code Combination = Single Label, Reading Mode = Linear. If necessary, these parameters can be changed through Genius™.

* In case of Programming Barcodes, refer to the “Setup Procedure Using Programming Barcodes” document in the product CD.

Auto Setup (Optional)

At the end of the *Auto Learn* procedure, you have the possibility to follow the *Auto Setup* procedure to set up the reading parameters.

1. Enter the *Auto Setup* function by holding the X-PRESS™ push button pressed until the SETUP LED is on.
2. Release the button to enter the *Auto Setup* function.
3. Once entered, if a barcode label is positioned in front of the scanline, the scanner automatically performs the optimal setup of the reading parameters for that specific barcode.

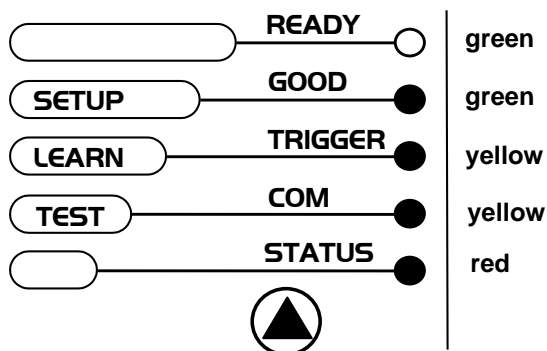


Figure 7 – X-PRESS™ Interface: Auto Setup Function

The procedure is as follows:

- A) **place** the desired barcode on the scanline.
- B) **enter** the AutoSetup function (the laser turns on and the SETUP LED blinks to indicate the ongoing process)
- C) **wait** until the SETUP LED stays steady on (indicating the reader has detected the barcode)

This procedure ends either when the barcode is successfully decoded or after a timeout of about 7 (seven) seconds.

The scanner will restart at the end of the process, and then the optimized reading parameters for that barcode are automatically configured in scanner memory.



NOTE

If your application has been configured using X-PRESS™, go to STEP 5.

Reset Scanner to Factory Default (Optional)

If it ever becomes necessary to reset the scanner to the factory default values, you can perform this procedure by holding the X-PRESS™ push button pressed while powering up the scanner. At the end of the procedure (about 5-6 seconds), the Configuration and Environmental parameters are reset, and all LEDs blink simultaneously 3 times. If connected through a CBX500 with display module, the message "Default Set" is shown on the display.

STEP 4 – INSTALLING GENIUS™ CONFIGURATION PROGRAM

Genius™ is a Datalogic scanner configuration tool providing several important advantages:

- Wizard approach for new users;
- Multi-language version;
- Defined configuration directly stored in the reader;
- Communication protocol independent from the physical interface allowing to consider the reader as a remote object to be configured and monitored.

To install Genius™, turn on the PC that will be used for the configuration, running Windows 98, 2000/NT, XP, Vista or 7, then insert the Genius™ CD-ROM, wait for the CD to autorun and follow the installation procedure.

This configuration procedure assumes scanner connection to a CBX100/500. Genius™, running on a laptop computer, is connected to the scanner auxiliary port through the CBX100/500 9-pin connector. To communicate with the scanner, Genius™ performs an auto baudrate detection starting from its default parameters which are 115200, 8, N, 1. These parameters can also be set in the Genius™ Tools>Options>Communications window.

Wizard for Quick Reader Setup

After installing the Genius™ software program the following window appears asking the user to choose the desired configuration level.



Figure 8 - Genius™ Wizard Opening Window

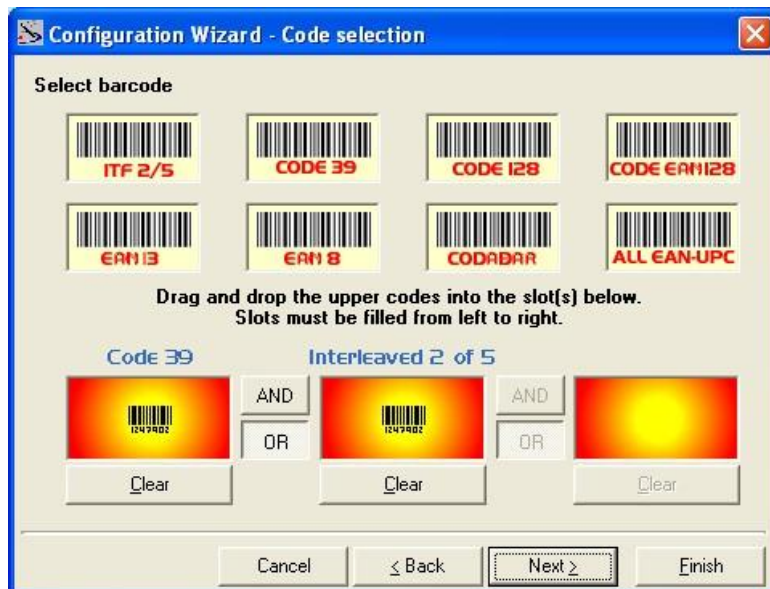
The Wizard option is advised for rapid configuration or new users, since it shows a step-by-step scanner configuration.

1. Select the *Create a new configuration* button.

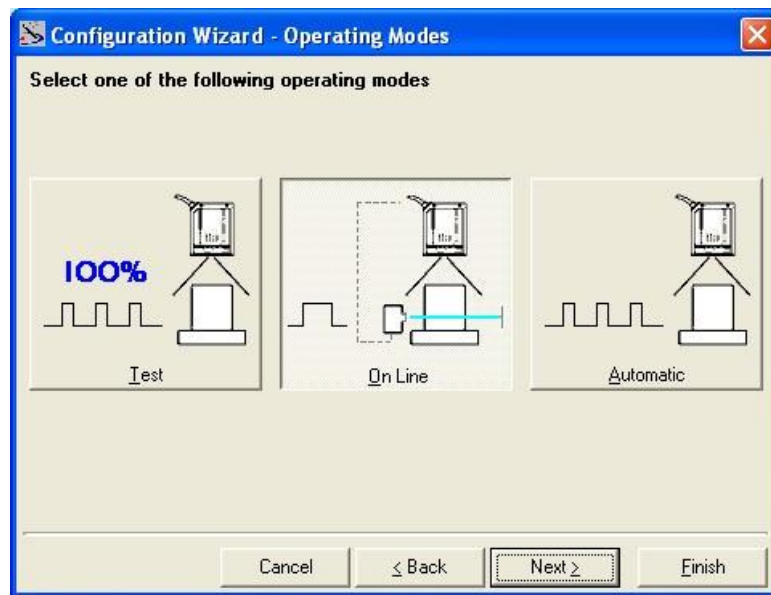


You will be guided through the configuration being asked to define the following parameters:

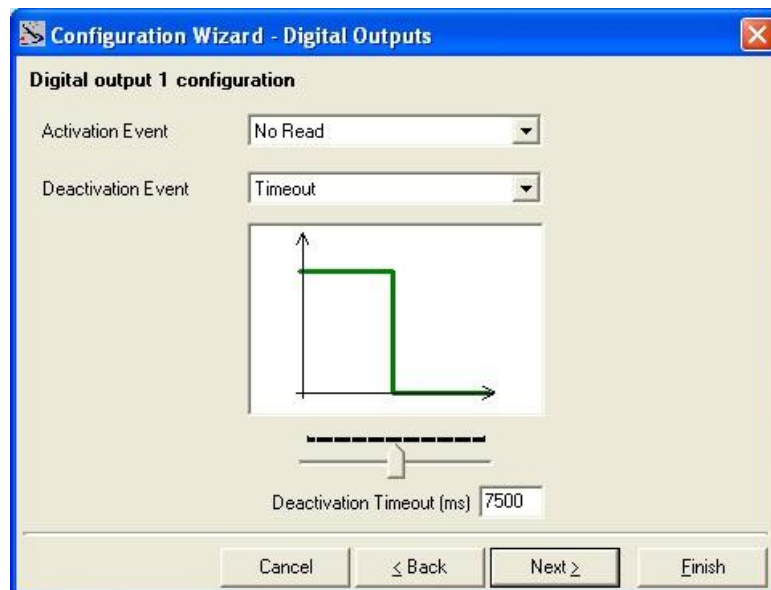
- a. Barcode selection and definition



b. Operating mode selection and definition



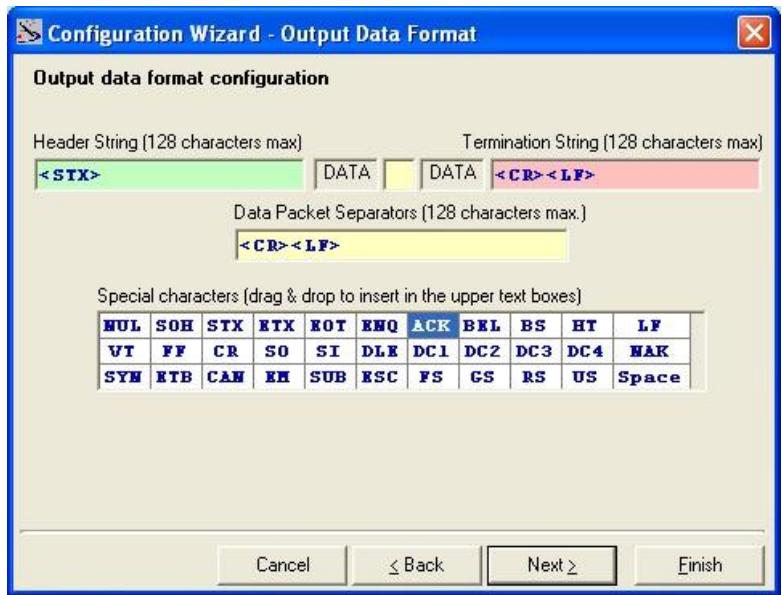
c. Digital Outputs configuration



d. Hardware interface selection



e. Output data format configuration



The **On Line** operating Mode requires the reader to be connected to an External Trigger/Presence Sensor using I1A and I1B inputs.

The **Automatic** operating mode does not require connection to an external Presence Sensor. When working in this mode the reader is continuously scanning, while the reading phase is activated each time a barcode enters the reader reading zone. The reader stops reading after an N number of scans without a code. Barcode characters are transmitted on the serial interface. In case of a failed reading phase no message is sent to the host computer.

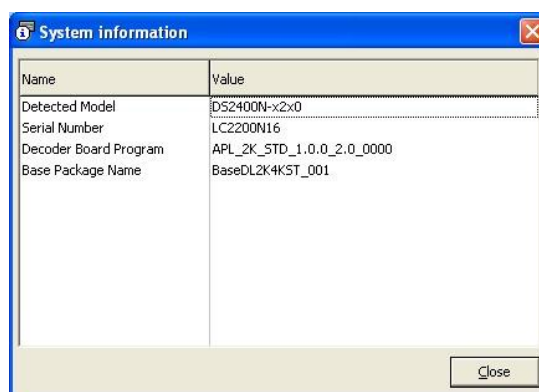
2. After defining the parameter values the following window appears allowing to complete the reader configuration as follows:
 - Saving the configuration to disk;
 - Switching to Advanced mode;
 - Sending the configuration to the scanner.



3. After sending the configuration to the scanner you have completed the configuration process.



4. By clicking Finish, the System Information window will be displayed with specific information concerning the scanner.



STEP 5 – TEST MODE

Use a code suitable to your application to test the system. Alternatively, you can use the Datalogic Test Chart (Code 39, Code Interleaved 2/5).

1. Enter the *Test mode* function by holding the X-PRESS™ push button pressed until the TEST LED is on.
2. Release the button to enter the *Test mode* function.
Once entered, the Bar-Graph on the five LEDs is activated and if the scanner starts reading barcodes the Bar-Graph shows the Good Read Rate. In case of no read condition, only the STATUS LED is on and blinks.

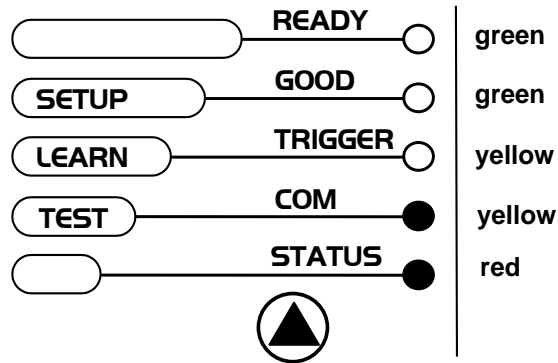



Figure 9 – X-PRESS™ Interface: Test Mode Function

3. To exit the Test Mode, press the X-PRESS™ push button once.

| | |
|--|--|
|  NOTE | <p><i>By default, the Test Mode exits automatically after two minutes.</i></p> |
|--|--|

ADVANCED SCANNER CONFIGURATION

The ADVANCED selection available when starting the Genius™ program is addressed to expert users being able to complete a detailed scanner configuration. By choosing this option it is possible either to start a new scanner configuration or to open and modify an old one. The desired parameters can be defined in the following window, similar to the MS Explorer:

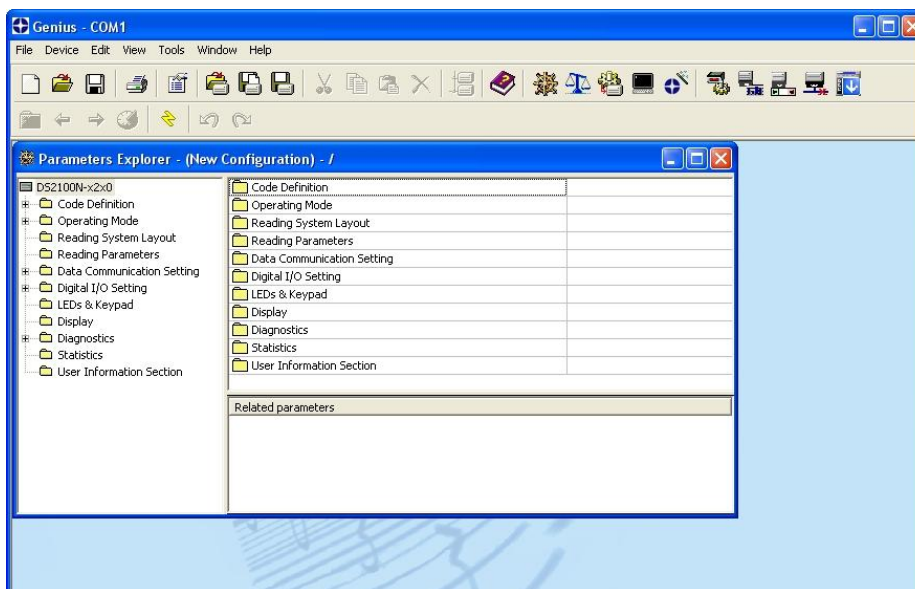


Figure 10 - Genius™ Parameter Explorer Window

Host Mode Programming

The scanner can also be configured from a host computer using the Host Mode programming procedure, by commands via the serial interface. See the Host Mode Programming file on the CD-ROM.

Alternative Layouts

- The ID-NET™ is a built-in high-speed interface dedicated for high-speed scanner interconnection. ID-NET™ is in addition to the Main and Auxiliary serial interfaces. If you need to install an ID-NET™ network refer to this DS2400N Reference Manual.

The scanner can also be configured for alternative layouts by reading programming barcodes. See the "Setup Procedure Using Programming Barcodes" printable from the CD-ROM.

- If you need to install an Ethernet network, Fieldbus network, Pass-Through network, Multiplexer network or an RS232 Master/Slave network refer to the DS2400N Reference Manual.

2 INTRODUCTION

2.1 PRODUCT DESCRIPTION

The DS2400N laser scanner satisfies the most advanced needs of a wide range of users. It has been developed focusing on the realistic requirements of its target market. The outstanding result is an extremely compact, cost-effective and easy to use industrial scanner.

Standard Application Program A standard application program is factory-loaded onto the DS2400N. This program controls barcode reading, serial port interfacing, data formatting and many other operating and control parameters.

It is completely configurable from a host computer through the Genius™ utility program provided on CD with the scanner, or via the serial interface (Genius™ based Host Mode Programming).

Custom Application Programs If the Standard Application Program does not meet your requirements, please contact your local Datalogic distributor.

Some of the main features of DS2400N are listed below:

- ACR-Lite (Advanced Code Reconstruction)
- small dimensions and light weight
- software programmable scanning speed on all models
- linear and raster version
- completely configurable via serial interface (Genius™)
- 3 serial communication interfaces (Main, Auxiliary, ID-NET™)
- supply voltage from 10 to 30 Vdc (24 Vdc \pm 10% for Subzero models)
- reads all popular codes
- test mode to verify the reading features and exact positioning of the scanner without the need for external tools
- programmable in 4 different operating modes to suit the most various barcode reading system requirements
- code verifier
- low power consumption

The DS2400N uses a solid-state laser diode as a light source; the light emitted has a wavelength between 630 and 680 nm. Refer to the section "Safety Precautions" at the beginning of this manual for information on laser safety.

The protection class of the enclosure is IP65, the reader is therefore suitable for industrial environments where high protection against harsh external conditions is required.

2.1.1 Indicators

The five LEDs on the side of the scanner ([Figure A](#)) indicate the following:

| | | |
|----------------|----------|---|
| READY | (green) | This LED indicates the device is ready to operate. For Subzero models this LED blinks during the warm-up phase. |
| GOOD | (green) | This LED confirms successful reading. |
| TRIGGER | (yellow) | This LED indicates the status of the reading phase. * |
| COM | (yellow) | This LED indicates active communication on main serial port. ** |
| STATUS | (red) | This LED indicates a NO READ result. |

* In On-Line mode the TRIGGER LED corresponds to the active reading phase signaled by the Presence Sensor. In Automatic and Continuous modes the TRIGGER LED is always on indicating that the reader is ready to read a code.

** When connected to a Fieldbus network through the CBX500, the COM LED is always active, even in the absence of data transmission, because of polling activity on the Fieldbus network.

During the reader startup (reset or restart phase), all the LEDs blink for one second.

On the back of the reader near the cable, the "POWER ON" LED indicates the laser scanner is correctly powered.

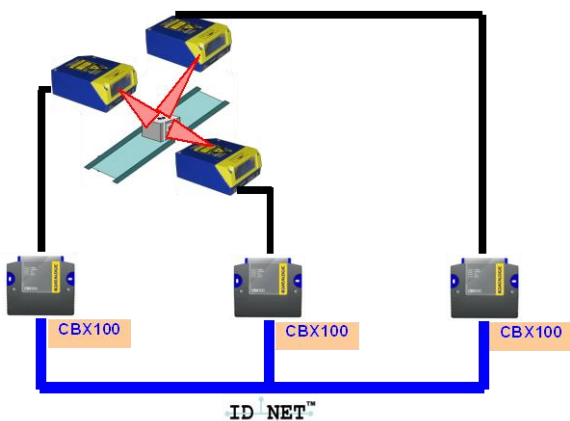
2.2 ID-NET™

The ID-NET™ is a built-in high-speed interface dedicated for high-speed scanner interconnection. The ID-NET™ is in addition to the Main and Auxiliary serial interfaces.



The following network configurations are available:

- **ID-NET™ M/S Synchronized:** Single station – multiple scanners

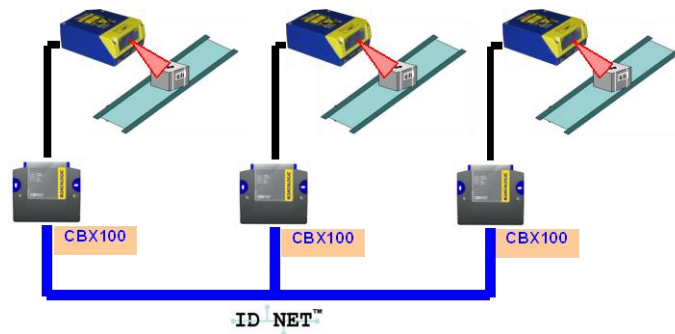


ID-NET™ interface allows local connection of multiple scanners reading different sides of the same target. All scanners share a single presence sensor and activate/deactivate simultaneously.

At the end of each reading phase a single data message is transmitted to the host.

Thanks to ID-NET™, data communication among scanners is highly efficient so that an immediate result will be available.

- **ID-NET™ M/S Multidata:** Multiple stations – single scanner



ID-NET™ interface allows connection of scanners reading objects placed on independent conveyors. All scanners are typically located far away from each other and they use a dedicated presence sensor.

At the end of each reading phase, each scanner transmits its own data message to the host. Thanks to ID-NET™, data collection among readers is accomplished at a high speed without the need of external multiplexing device. This leads to an overall cost reduction and to a simple system wiring.

2.2.1 How To Setup/Configure the Scanner Network

A complete ID-NET™ scanner network can be rapidly setup, as follows:

Mounting & Connection

1. Mechanically mount/install all the readers (refer to par. 3.2 and 3.2.5).
2. Wire ID-NET™ (refer to par. 4.3 or 5.3).
3. Connect the planned Master scanner to a PC by means of the Genius™ configuration software.
4. Power up the entire system.

Configuration

1. Launch Genius™.
2. From the Genius™ Device Menu select "Local Device Network Settings" and program the Role of the Master scanner (Synchronized or Multidata).

This procedure requires the Network Baud Rate be the same for all Slaves and Master, (500 kbs is the default value). It can be changed after network setup using Genius™ through the Master scanner. See also the alternative procedure in the note below.

3. At the prompt to "Send updated Network configuration to the Local Device" (Master) choose "Yes".
4. Then run the NET-AUTOSET procedure from the Icon in the Devices Area. Genius™ sets all slave scanners according to the Master Role (Synchronized or Multidata), and assigns each a random address. If necessary, this address can be changed through the Network Wizard.
5. Configure the System parameters via Genius™.
6. If using the CBX connection box equipped with a BM100 Backup module, perform System Backup at the Master.

The scanner network is ready.



NOTE

If necessary, the ID-NET™ baudrate can be set individually on each Slave scanner to match the Master. Connect each Slave to Genius™ and set the Reading System Layout > Network Baudrate parameter. Then follow the procedure above.



NOTE

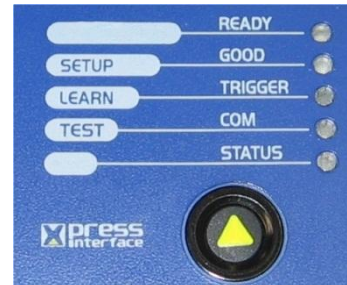
An alternative method of programming scanner address and role assignment can be accomplished by using the "Connectivity Programming Barcodes" (refer to the "Setup Procedure Using Programming Barcodes" document on the product CD).

2.3 X-PRESS™ HUMAN MACHINE INTERFACE

X-PRESS™ is the intuitive Human Machine Interface designed with the precise goal of improving ease of installation and maintenance.


Status and diagnostic information are clearly presented by means of five-colored LEDs, whereas the single multi-function key gives immediate access to relevant functions:

- *Autosetup* to self-optimize reading performance in demanding applications
- *Autolearn* to self-detect unknown barcodes
- *Test Mode* with bar-graph visualization to check static reading performance



X-PRESS™ is the common interface adopted in all new products: *“You learn one, you can use them all”*.

The colors and meaning of the five LEDs when in the one of the operating modes (On-Line, Automatic or Continuous) are illustrated in par 2.1.1.

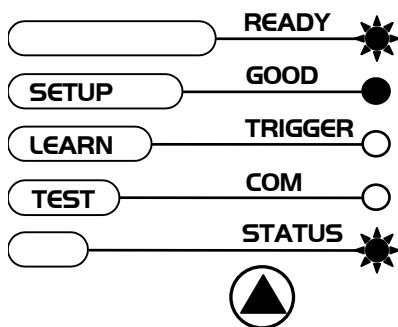


NOTE *The X-PRESS™ functions do not work if the motor or laser are turned off, see chp. 9 for details.*

2.3.1 Diagnostic Indication

The “STATUS” and “READY” LEDs blink simultaneously to signal the presence of a failure. Diagnostic message transmission on interfaces can be enabled to provide details about specific failure conditions.

At the same time one or more LEDs light up according to the following scheme:

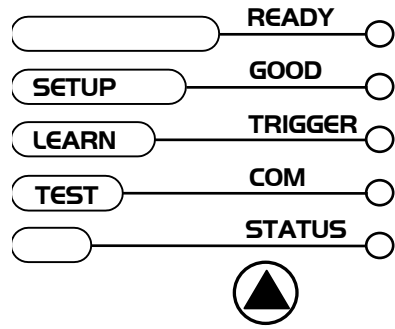


| LED | STATUS |
|---------|--|
| READY | BLINK |
| GOOD | ON to indicate any Failure different than Motor or Laser failures. |
| TRIGGER | ON to indicate a Motor Failure. |
| COM | ON to indicate a Laser Failure. |
| STATUS | BLINK |

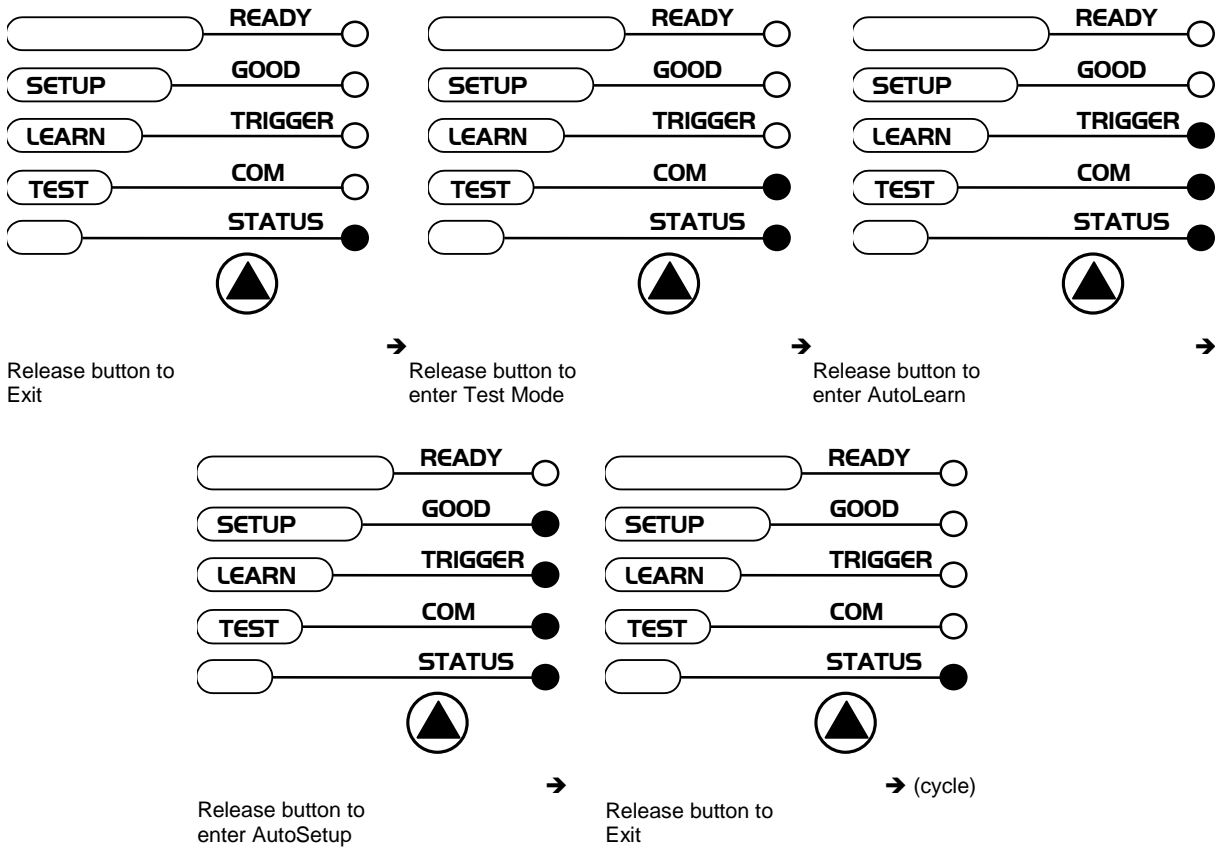
2.3.2 X-PRESS™ Functions

Quick access to the following functions is provided by an easy procedure using the push button:

- 1 – **Press** the button (the STATUS LED will give a visual feedback).
- 2 – **Hold** the button until the specific function LED is on (TEST, LEARN or SETUP).
- 3 – **Release** the button to enter the specific function.



Once button is pressed, the cycle of LEDs activation is as follows:



Test Mode Function

Once entered, the Bar-Graph on the five LEDs is activated and if the scanner starts reading barcodes the Bar-Graph shows the Good Read Rate. In case of no read condition, only the STATUS LED is on and blinks.

To exit the Test Mode, press the X-PRESS™ push button once.

AutoLearn Function

Once entered, the reader starts a procedure to automatically detect and recognize barcodes (by type and length), which are presented to it¹. The laser turns on and the LEARN LED blinks to indicate the ongoing process.

The procedure is as follows:

- **place** the desired barcode on the scanline.
- **wait** until the LEARN LED stays steady on (indicating the reader has detected the barcode).
- **repeat**, if needed, the above two steps to program up to 10 different barcodes (the LEARN LED returns to the blinking state for the next code). If more than one barcode is detected in the scan line, the Multi Label mode is enabled (refer to the “*2K/4K Family Software Configuration Parameter Guide*” Help file).
- **exit** the process by pressing the X-PRESS™ push button once.

The scanner will restart at the end of the process, and then the detected barcodes are automatically configured in scanner memory.

AutoSetup Function

Once entered, if a barcode label is positioned in front of the scanline, the scanner automatically performs the optimal setup of the reading parameters for that specific barcode.

The procedure is as follows:

- **place** the desired barcode on the scanline.
- **enter** the *AutoSetup* function (the laser turns on and the SETUP LED blinks to indicate the ongoing process).
- **wait** until the SETUP LED stays steady on (indicating the reader has detected the barcode).

This procedure ends either when the barcode is successfully decoded or after a timeout of about 7 (seven) seconds.

The scanner will restart at the end of the process, and then the optimized reading parameters for that barcode are automatically configured in scanner memory.

**NOTE**

The AutoSetup function does not modify the programmed barcode symbologies. If needed, the AutoLearn function can be performed after AutoSetup.

¹ In case of Programming Barcodes, refer to the “Setup Procedure Using Programming Barcodes” document in the product CD.

Reset Scanner to Factory Default

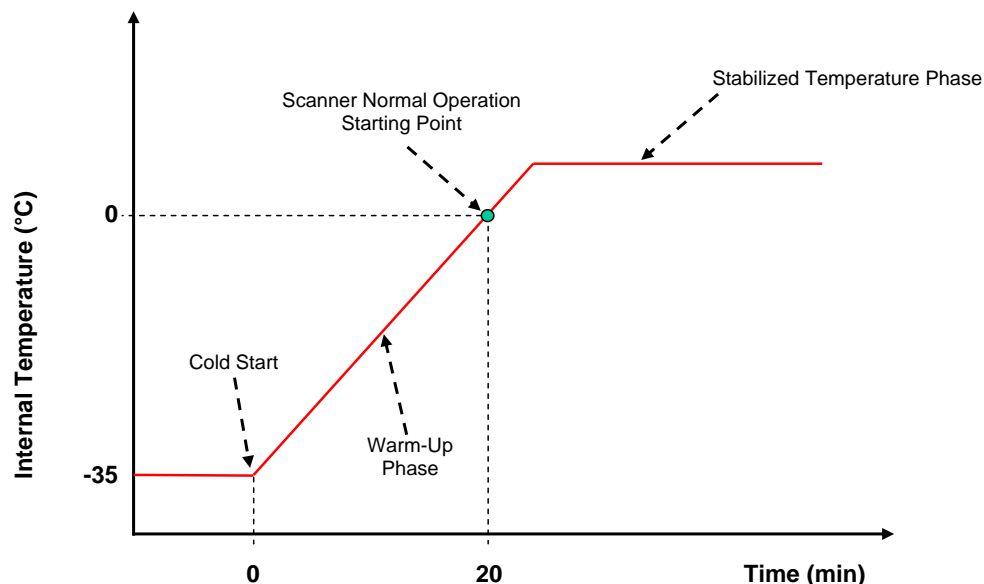
If it ever becomes necessary to reset the scanner to the factory default values, you can perform this procedure by holding the X-PRESS™ push button pressed while powering up the scanner. At the end of the procedure (about 5-6 seconds), the Configuration and Environmental parameters are reset, all LEDs blink simultaneously 3 times and the message "Default Set" is shown on the display.

2.4 SUBZERO TEMPERATURE MODELS

The DS2400N Subzero scanner is an industrial scanner designed to operate in industrial refrigerator/freezer cells or other stable subzero degree environments, which are below the operating range of standard industrial scanners. It is not designed to move between subzero and normal environments (rapid temperature changes).

The DS2400N Subzero has an intelligent microprocessor-driven and efficient internal heating system which constantly monitors and automatically controls internal temperature. Only the necessary temperature-sensitive components are heated, resulting in an efficient heating system which has very low power consumption.

Upon power-up in a subzero environment, the scanner waits until these internal components are heated to within their operating temperature range. Power-up at $-35\text{ }^{\circ}\text{C}$ can take about 20 minutes before the scanner is ready to read barcodes. During this time the laser and motor remain off and the Ready LED blinks, indicating the warm-up phase. While in the warm-up phase, scanner communication is operative and the device can be configured through Genius™ or through Host Mode Programming.

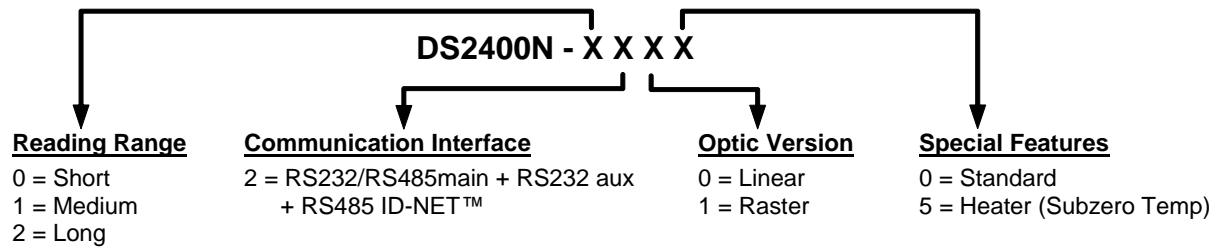


The DS2400N Subzero can be connected to the CBX100 LT Subzero connection box which can withstand the same low temperature environment as the scanner. A CBX100 LT all-in-one model includes a BM100 backup and restore module having an extended temperature range also for use in subzero environments.

2.5 MODEL DESCRIPTION

The DS2400N scanner is available in versions that differ in regard to the following parameters:

- Resolution
- Performance
- Linear or raster reading
- Special Features



The following tables display each version's reading performance.

| Version | Max Code Resolution | Speed |
|---------|---------------------|-------------|
| | mm (mils) | scans/s |
| 02XX | 0.20 (8) | 600 to 1000 |
| 12XX | 0.25 (10) | 600 to 1000 |
| 22XX | 0.35 (14) | 600 to 1000 |

| Version | Reading Distance |
|---------|---|
| 02XX | 75 mm (3 in) - 340 mm (13.4 in) on 0.35 mm (14 mils) codes |
| 12XX | 100 mm (3.9 in) - 440 mm (17.3 in) on 0.50 mm (20 mils) codes |
| 22XX | 190 mm (7.5 in) - 600 mm (23.6 in) on 0.50 mm (20 mils) codes |

See reading diagrams in par. 7.4 for further details.

2.6 ACCESSORIES

The following accessories are available on request for the DS2400N:

| Name | Description | Part Number |
|-------------------------|---|------------------------------------|
| Mirrors | | |
| GFC-200 | 85° Contact Reading Mirror | 93A201108 |
| GFC-2100 | 2KN 90° Lateral Output Window | 93A201000 |
| GFC-2020 | 2KN 102° Lateral Output Mirror | 93ACC1871 |
| OM2000N | Oscillating Mirror | 93ACC1783 |
| Connection Boxes | | |
| CBX100 | Compact Connection Box | 93A301067 |
| CBX100 All-In-One | Compact Connection Box + BM100 | 93A301076 |
| CBX100 LT | Compact Connection Box Subzero | 93A301069 |
| CBX100 LT All-In-One | Compact Connection Box Subzero + BM100 | 93A301085 |
| CBX500 | Modular Connection Box | 93A301068 |
| BM100 | Backup Module | 93ACC1808 |
| BM150 | Display Module | 93ACC1809 |
| BM200/210 | Ethernet TCP/IP Module STD/IP65 | 93ACC1851, 93ACC1852 |
| BM300/310 | Profibus Module STD/IP65 | 93ACC1810, 93ACC1811 |
| BM400 | DeviceNet Module IP65 | 93ACC1814 |
| BM500/510/520 | Ethernet/IP Module STD/IP65/IP54 | 93ACC1812, 93ACC1813, 93ACC1840 |
| BM600 | CANopen Module STD | 93ACC1815 |
| BM700/710 | Profinet Module STD/IP65 | 93ACC1816, 93ACC1886 |
| BM1100 | CC-Link Module STD | 93ACC1845 |
| BM1200/1210 | Modbus TCP | 93ACC1848, 93ACC1849 |
| BA100 | DIN Rail Adapters | 93ACC1821 |
| BA200 | Bosch Adapters | 93ACC1822 |
| BA900 | Two Cable Glands Panel | 93ACC1847 |
| QL100 | Quick Link Slave ID-NET T-Connector | 93ACC1860 |
| QL150 | Quick Link Slave ID-NET + Service T-Connector | 93ACC1868 |
| QL200 | Quick Link Slave ID-NET + Power T-Connector | 93ACC1861 |
| QL300 | Quick Link Master ID-NET Serial Host Connector | 93ACC1862 |
| QL500 | Quick Link Master ID-NET Ethernet Host Connector (includes Ethernet/IP explicit messaging) | 93ACC1864 |
| QLM500 | Quick Link Metal Master ID-NET - EthernNet/IP Gateway | 93ACC0037 |
| QLM600 | Quick Link Metal Master ID-NET - Profibus Gateway | 93ACC0033 |
| QLM700 | Quick Link Metal Master ID-NET - Profinet I/O Gateway | 93ACC0038 |
| Sensors | | |
| MEP-593 | Photocell Kit - PNP (PH-1) | 93ACC1791 |
| MEP-543 | Photocell Kit - NPN | 93ACC1728 |
| Power Supplies | | |
| PG-6000/6001/6002 | 24 V Power Supply Unit EU/UK/US | 93ACC1720, 93ACC1719, 93ACC1718 |

Accessories valid for DS2400N Subzero models.

3 INSTALLATION

3.1 PACKAGE CONTENTS

Verify that the DS2400N reader and all the parts supplied with the equipment are present and intact when opening the packaging; the list of parts includes:

- DS2400N reader with cable
- DS2400N Quick Guide
- Barcode Test Chart
- Genius™ CD-ROM
- Replicate serial number labels
- Mounting Kit:
 - bracket
 - screws

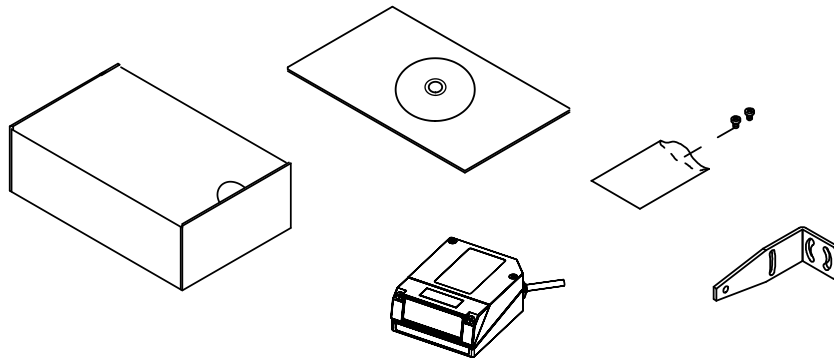


Figure 11- DS2400N Package Contents

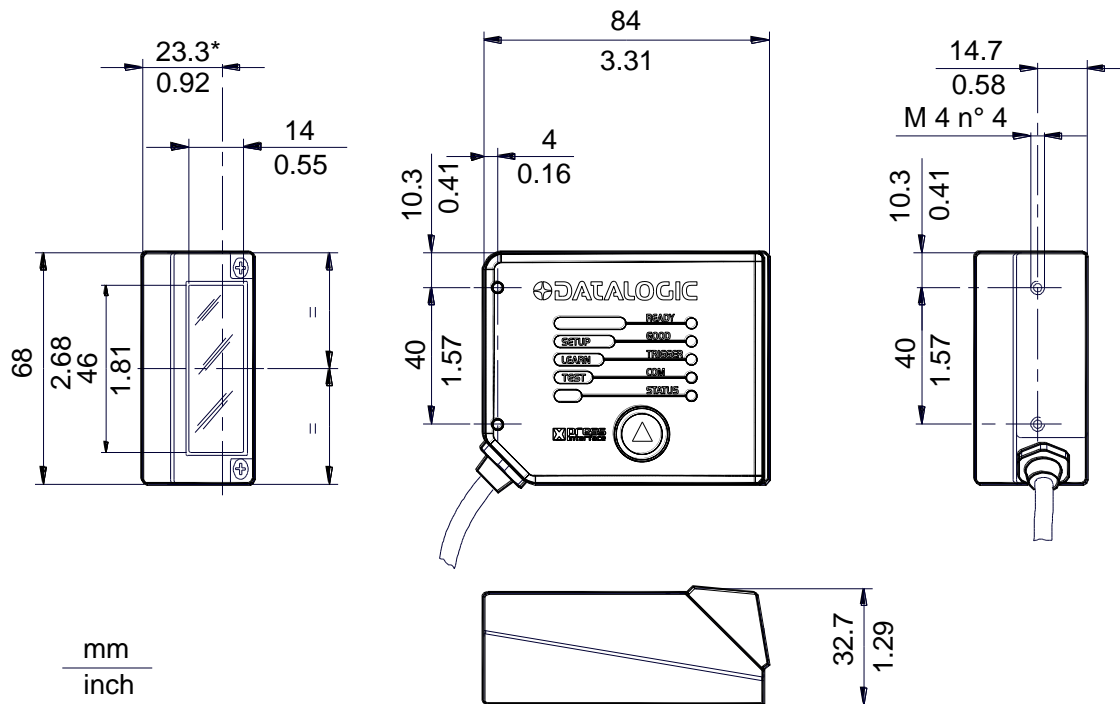


NOTE

The replicate serial number labels are for external reference and can be applied to the reading station and/or to the OM2000N accessory when used.

3.2 MECHANICAL INSTALLATION

DS2400N can be installed to operate in different positions. The four screw holes (M4 x 5) on the body of the reader are for mechanical fixture (Figure A, 3). The diagrams below give the overall dimensions of the scanner and mounting bracket and may be used for installation. Refer to par. 3.2.1 and 3.2.5 for correct positioning.



* The quote refers to the scan line

Figure 12 – DS2400N Overall Dimensions

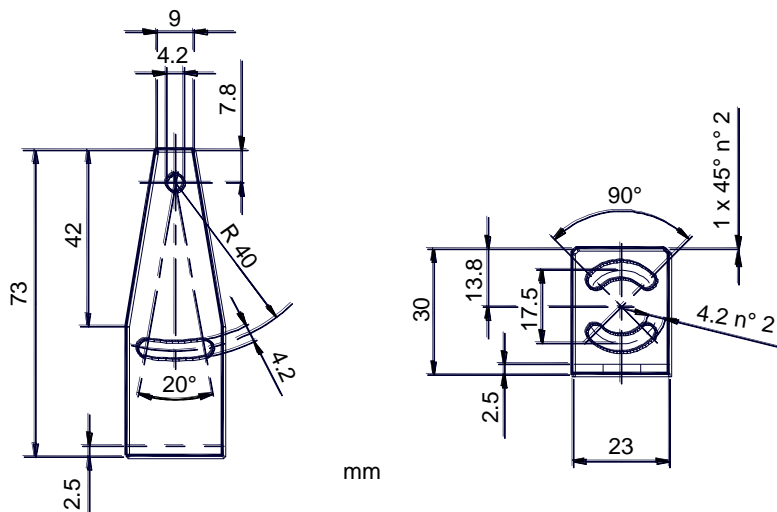


Figure 13 – Mounting Bracket Overall Dimensions

3.2.1 Mounting DS2400N

Using the DS2400N mounting bracket you can obtain the most suitable position for the reader as shown in the figure below:

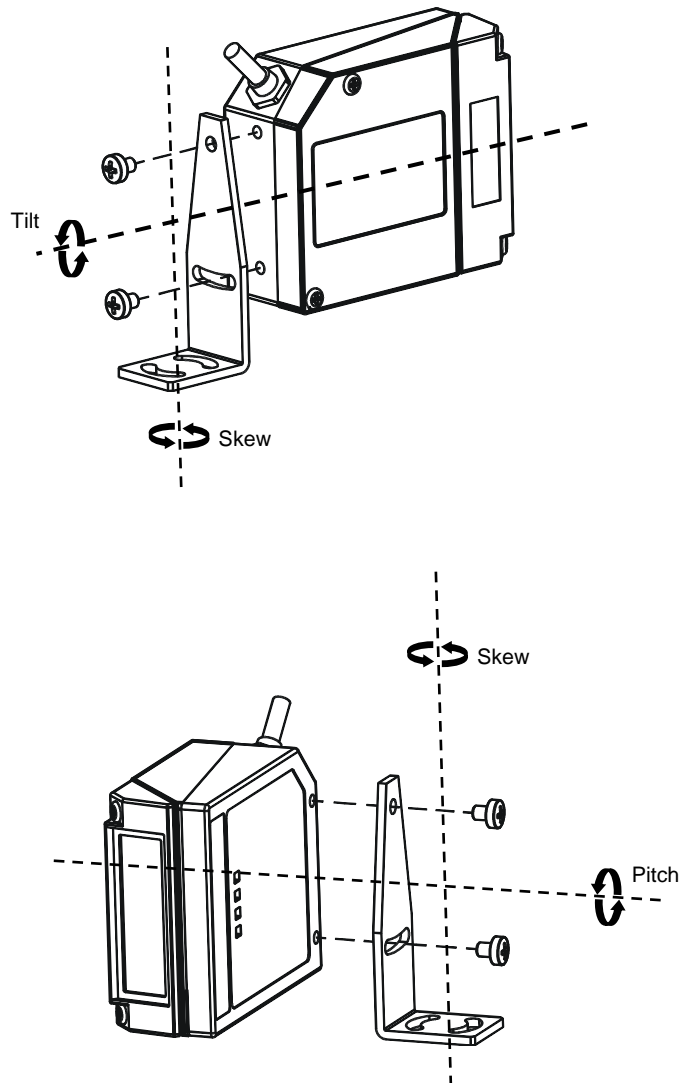


Figure 14 – Positioning with Mounting Bracket

3.2.2 Mounting a GFC-2020 Accessory Lateral Output Deflection Mirror

The GFC-2020 accessory is a Lateral Output deflection mirror which helps to position the scanner body in a different orientation with respect to the code, for limited space applications.

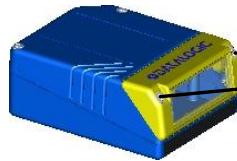


CAUTION

Subzero model scanners must not be opened in an uncontrolled environment.

The installation of the deflection mirror is very easy.

1. Make sure the device is not powered.
2. Remove the original 0° scanning window from the scanner by unscrewing the two cover screws.



Cover Screws

Figure 15 - Removing the 0° Scanning Window



CAUTION

Avoid any contact with the deflection mirror, mirrored rotor, the lenses or other optical components; otherwise the performance of the reader will be reduced.

3. Clean the mirror surface and reading window with a clean soft cloth and alcohol before closing the scanner.
4. **Mount the GFC-2020 accessory** so that the opening face is at 90° with respect to the scanner body. Tighten the two cover screws.



Figure 16 - Mounting a GFC-2020 Deflection Mirror

The reading position with respect to the scanner is shown below.

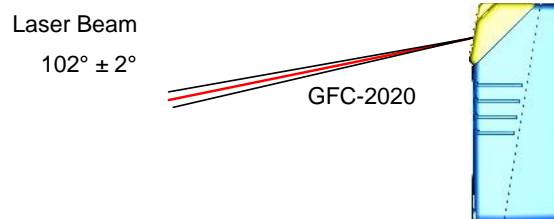


Figure 17 - GFC-2020 Laser Beam Output Position

3.2.3 Mounting a GFC-2100 Accessory Lateral Output Deflection Mirror

The GFC-2100 accessory is a 90° Lateral Output deflection mirror which helps to position the scanner body in a different orientation with respect to the code, for limited space applications.

The following items in the kit are used for mounting:

- Deflection Mirror bag 1
- Fixing Screws in bag 2 (silver self-threading)
- 90° Scanning Window in bag 2

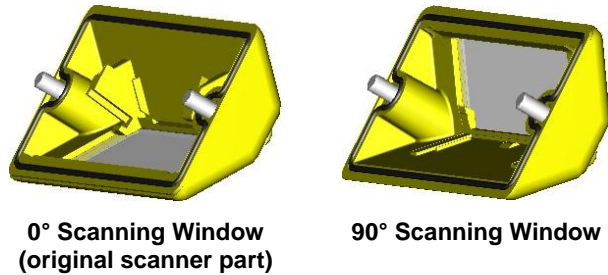


Figure 18 - 0° vs 90° Scanning Windows

1. Make sure the device is not powered.
2. Remove the original 0° scanning window from the scanner by unscrewing the two cover screws.

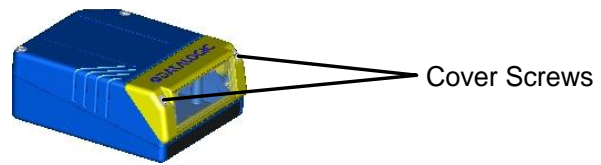



Figure 19 - Removing the 0° Scanning Window



CAUTION *Avoid any contact with the deflection mirror, mirrored rotor, the lenses or other optical components; otherwise the performance of the reader will be reduced.*

3. Fix the mirror (from bag 1) to the device by means of the two fixing screws (from bag 2).
4. Clean the mirror surface and reading window with a clean soft cloth and alcohol before closing the scanner.

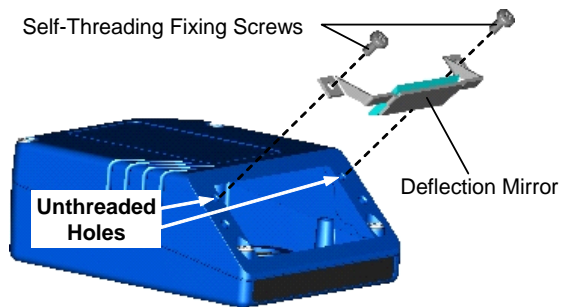


Figure 20 - Mounting Deflection Mirror

5. **Mount the 90° scanning window (from bag 2)** so that the opening face is now at 90° with respect to the scanner body. Tighten the two cover screws.

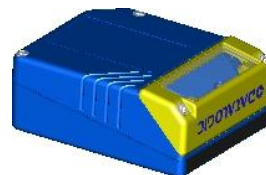


Figure 21 - Mounting 90° Scanning Window

The reading position with respect to the scanner is shown here.

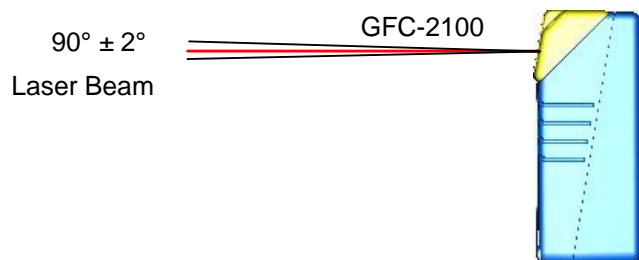


Figure 22 - GFC-2100 Laser Beam Output Position

3.2.4 Mounting a GFC-200 Accessory Contact Reading Mirror

The GFC-200 is an 85° contact reading mirror that is mounted directly to the DS2400N Scanner. The GFC-200 allows contact reading, eliminating the external optical path.



Figure 23 - GFC-200 General View

The overall dimensions are provided in the figure below and can be used for proper installation.

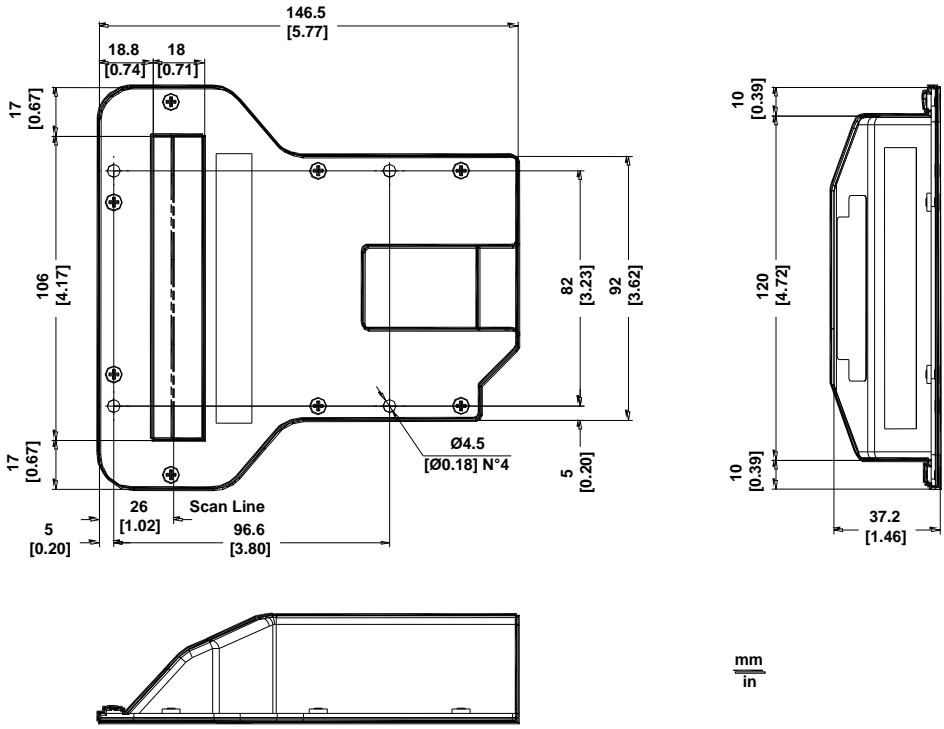


Figure 24 - GFC-200 Overall Dimensions

To fix a DS2400N Scanner to the GFC-200, use the two **M 4 x 6** mm screws supplied with the GFC Kit. Refer to the following figure.

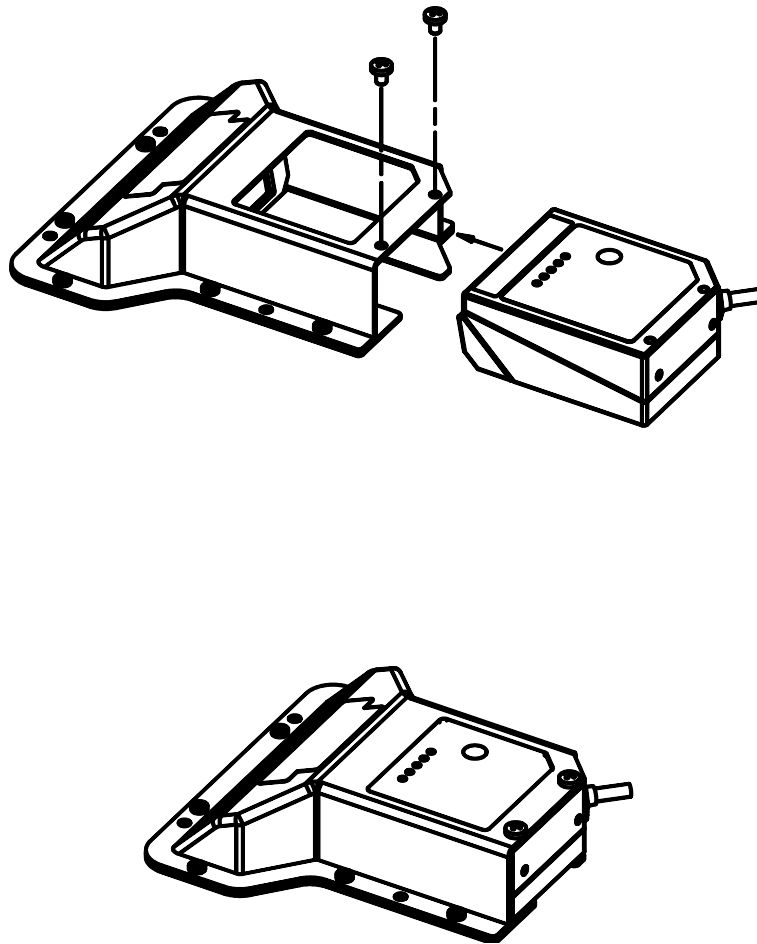


Figure 25 – Fixing DS2X00N Scanner to GFC-200

The GFC-200 85° contact reading mirror assures that the minimum skew angle is maintained to avoid direct light reflection which can degrade reading performance.

When reading very reflective barcodes, it may be necessary to increase the skew angle (up to 10° - 15°). In this case, the GFC-200 should be mounted with a corresponding inclination.

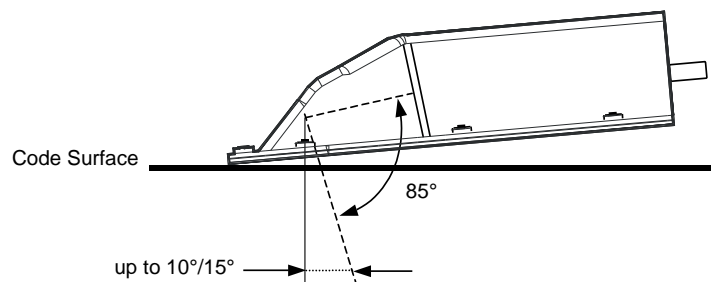


Figure 26 – Maintaining Minimum Skew Angle

The internal optical path from the scanner reading window to the GFC-200 window is 51 mm.

The reading distance of the DS2400N scanner with the GFC-200 is shifted by 51 mm towards the scanner because of the internal optical path between the scanner and the GFC-200 output window.

The reading performance also decreases in typical conditions by about 10% due to the optical signal passing through the output window of the GFC-200 and the reflection on the mirror surface.

The combination of these effects produces the reading diagram represented below:

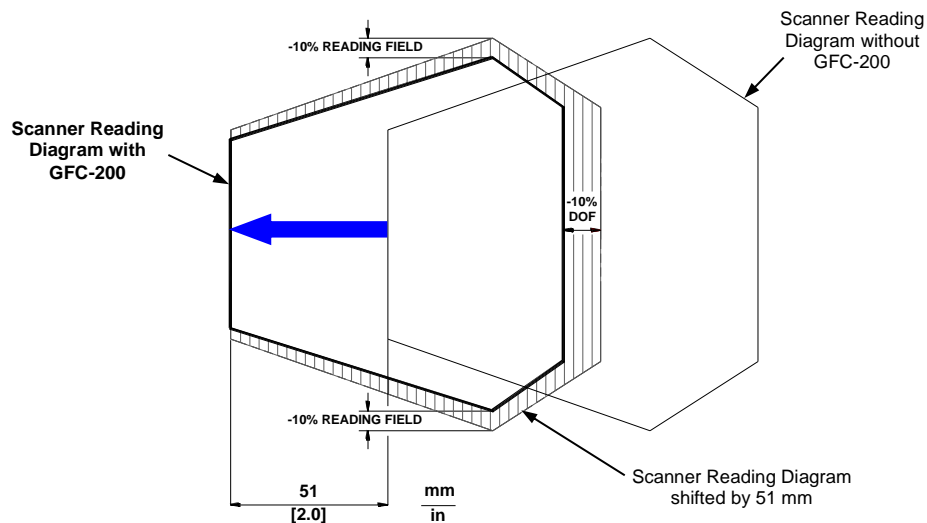


Figure 27 – GFC-200 Reading Performance Comparison


3.2.5 Mounting an OM2000N Accessory Oscillating Mirror

The OM2000N oscillating mirror is designed to generate homogeneous and adjustable raster reading through deflection of the scanning laser beam.

The system consists of the oscillating mirror attached to the scanner and allows a surface instead of a line to be observed; versatility and reading accuracy are therefore increased in "Picket Fence" reading mode.

The electronic and electromechanical components controlling the mirror movement are contained inside the rugged metal casing, which guarantees protection class IP65 when the OM2000N is mounted correctly onto the scanner.

The OM2000N is directly powered from the scanner through a connector which is accessible after removing the scanning window (see Figure 30). It therefore operates exclusively at low power, between 10 and 30 VDC.



CAUTION *The OM2000N accessory is not compatible with and therefore cannot be used on Subzero models.*

The following figure gives the overall dimensions of the DS2400N + OM2000N and may be used for its installation in the application.

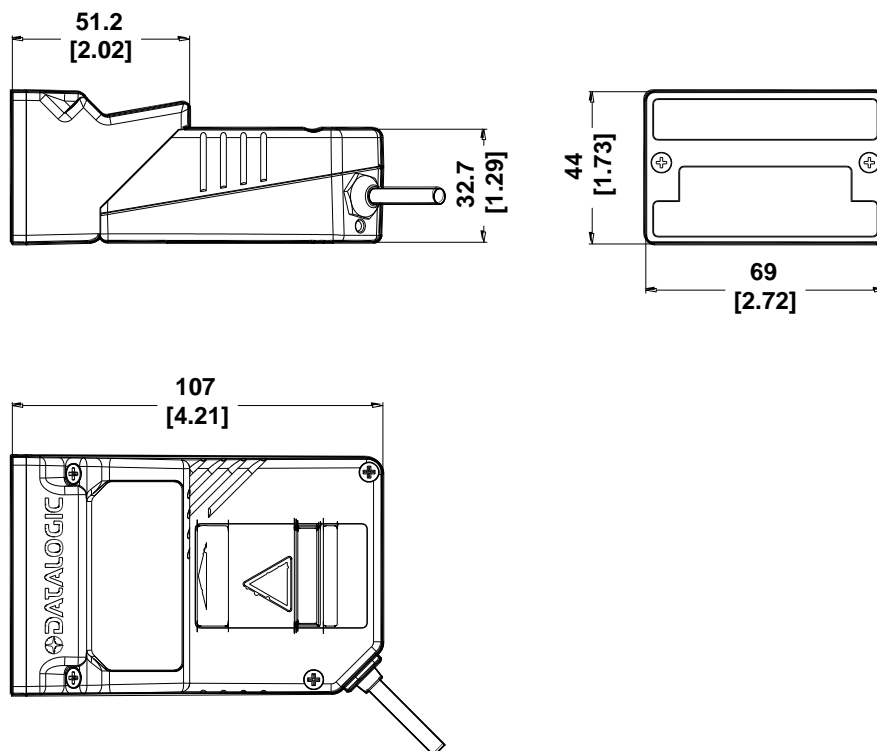


Figure 28 – DS2400N + OM2000N Overall Dimensions

The installation of the deflection mirror is very easy.

- 1) Clean the OM2000N mirror surface and output window (internally and externally) with a clean soft cloth and alcohol before assembling it to the scanner.



All abrasive substances must be absolutely avoided as they cause irreparable damage to the transparency of the glass.

- 2) Remove the scanning window from the scanner (see Figure 29).

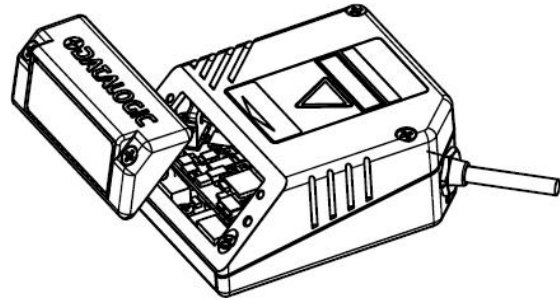


Figure 29 – Remove Scanning Window

- 3) Bring the OM2000N close to the scanner and insert the cable into the power connector of the scanner (see Figure 30).

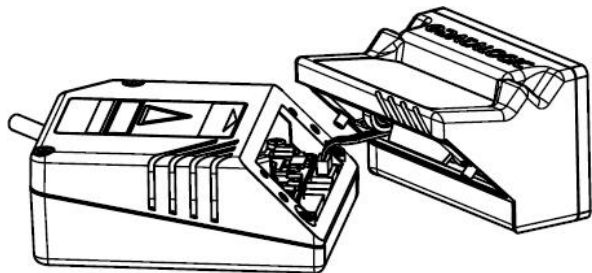


Figure 30 – OM2000N Electrical Connection



Make sure the cable doesn't remain in the path of the mirror movement.

- 4) Check that the seal is correctly positioned and then after having aligned the OM2000N onto the scanner, fix it using the two screws (see Figure 31).

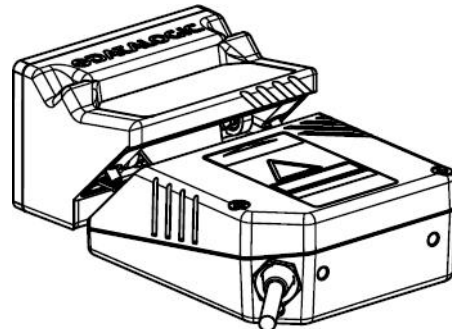


Figure 31 –Mount OM2000N

- 5) In the indicated space on the front side of the OM2000N, apply the relative replicate scanner serial number label provided with the scanner itself (see Figure 32).



Figure 32 – Apply Replicate Scanner SN Label

The reading distance of the scanner with the OM2000N is shifted by 10 mm towards the scanner because of the internal optical path between the scanner and the OM2000N output window. The reading performance also decreases in typical conditions by about 10% due to the optical signal passing through the output window of the OM2000N and the reflection on the mirror surface. The combination of these effects produces the reading diagram represented below:

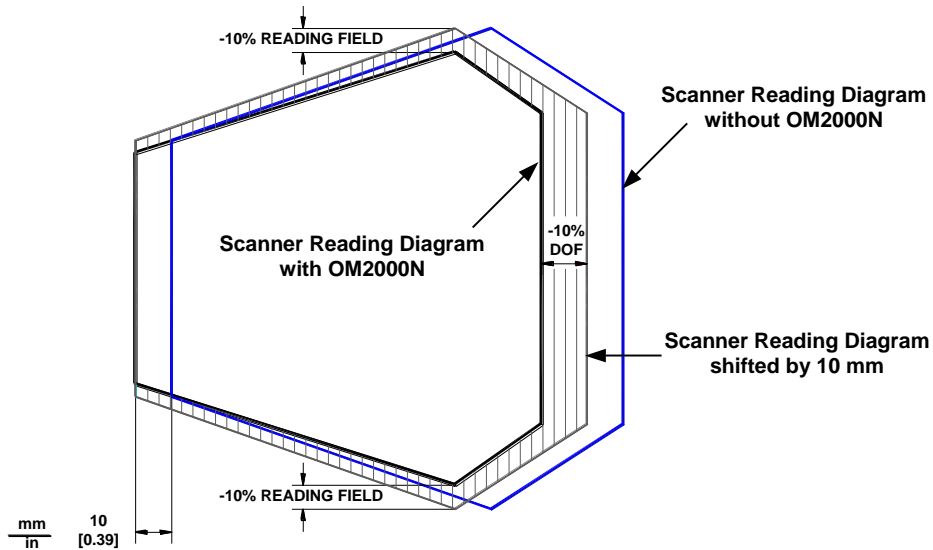


Figure 33 – OM2000N Reading Performance Comparison

The reading distance also depends on the amplitude of aperture used. In particular, wider apertures require the scanner to be closer to the code in order to read at the extreme edges of the sweep (see Figure 34 below).

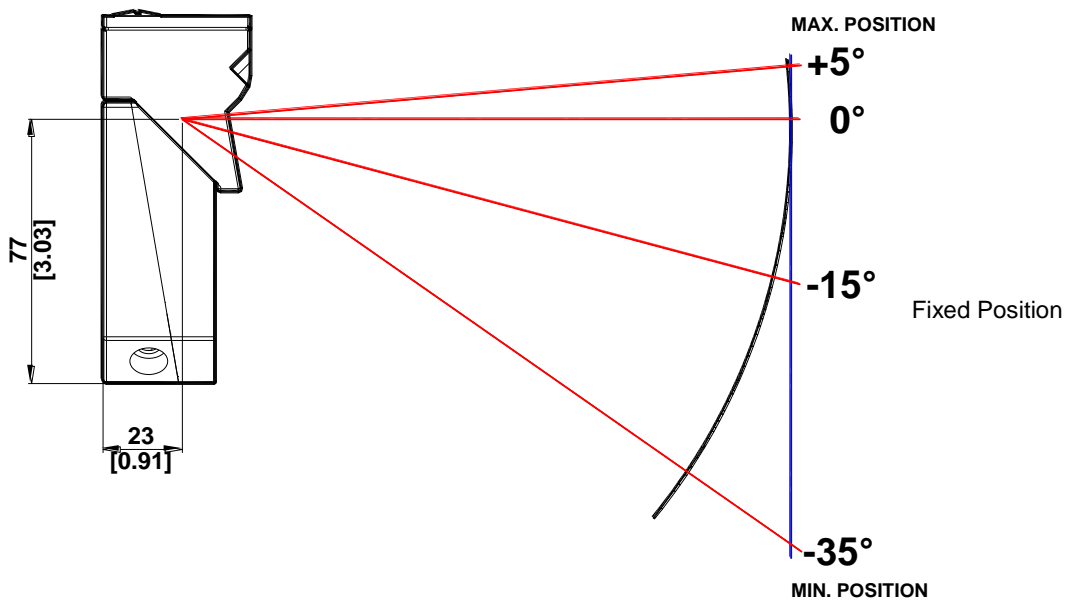



Figure 34 – OM2000N Reading Distance

 **NOTE** *The OM2000N is configurable exclusively through the Genius™ utility program.*

3.3 POSITIONING

The DS2400N scanner is able to decode moving barcode labels at a variety of angles, however significant angular distortion may degrade reading performance.

When mounting the DS2400N take into consideration these three ideal label position angles: **Skew 10° to 30°, Tilt 0° and Pitch 0°**.

Follow the suggestions for the best orientation:

The **Skew** angle is represented by the value **S** in Figure 35. Position the reader to **assure at least 10°** for the **Skew** angle. This avoids the direct reflection of the laser light emitted by the DS2400N.

For the raster version, this angle refers to the most inclined or external raster line, so that all other raster lines assure **more** than 10° Skew.

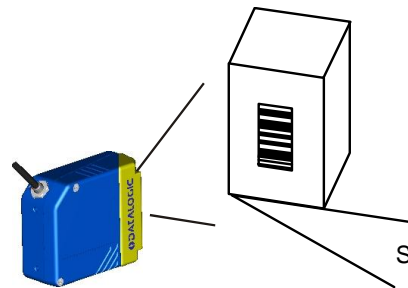


Figure 35 - Skew Angle

The **Tilt** angle is represented by the value **T** in Figure 36. Position the reader in order to **minimize** the **Tilt** angle.

By using the Reconstruction Reading Mode software parameter, the tilt angle is less critical and can be decoded even if the scan line doesn't cross the entire code.

See par. 7.1 or the Help On Line for details.

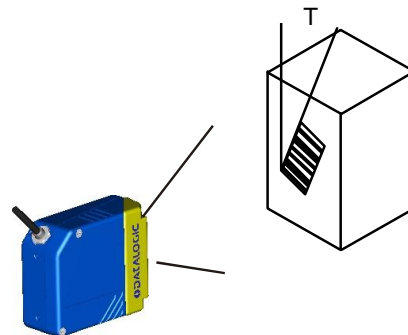


Figure 36 - Tilt Angle

The **Pitch** angle is represented by the value **P** in Figure 37. Position the reader in order to **minimize** the **Pitch** angle.

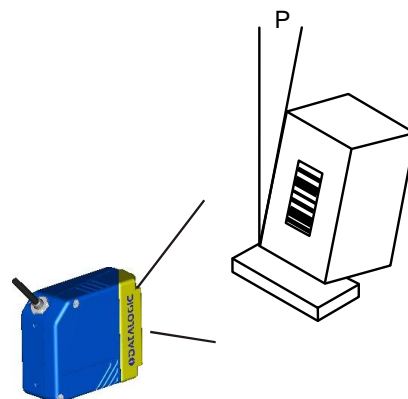



Figure 37 - Pitch Angle

4 CBX ELECTRICAL CONNECTIONS

All DS2400N models are equipped with a cable terminated by a 25-pin male D-sub connector for connection to the power supply and input/output signals.

We recommend making system connections through one of the CBX connection boxes since they offer the advantages of easy connection, easy device replacement and filtered reference signals.

| | |
|--|--|
|  NOTE | <p><i>If you require direct wiring to the scanner the details of the connector pins and relative connections are indicated in Chapter 5.</i></p> |
|--|--|

The table below gives the pinout of the CBX100/500 terminal block connectors. Use this pinout when the DS2400N reader is connected by means of the CBX100/500:

| CBX100/500 Terminal Block Connectors | | | |
|--------------------------------------|---|--------------------------|--------------------------|
| Input Power | | | |
| Vdc | Power Supply Input Voltage + | | |
| GND | Power Supply Input Voltage - | | |
| Earth | Protection Earth Ground | | |
| Inputs | | | |
| +V | Power Source – External Trigger | | |
| I1A | External Trigger A (polarity insensitive) | | |
| I1B | External Trigger B (polarity insensitive) | | |
| -V | Power Reference – External Trigger | | |
| +V | Power Source – Inputs | | |
| I2A | Input 2 A (polarity insensitive) | | |
| I2B | Input 2 B (polarity insensitive) | | |
| -V | Power Reference – Inputs | | |
| Outputs | | | |
| +V | Power Source - Outputs | | |
| -V | Power Reference - Outputs | | |
| O1+ | Output 1 + | | |
| O1- | Output 1 - | | |
| O2+ | Output 2 + | | |
| O2- | Output 2 - | | |
| Auxiliary Interface | | | |
| TX | Auxiliary Interface TX | | |
| RX | Auxiliary Interface RX | | |
| SGND | Auxiliary Interface Reference | | |
| ID-NET™ | | | |
| REF | Network Reference | | |
| ID+ | ID-NET™ network + | | |
| ID- | ID-NET™ network - | | |
| Shield | Network Cable Shield | | |
| Main Interface | | | |
| | RS232 | RS485 Full-Duplex | RS485 Half-Duplex |
| | TX | TX+ | RTX+ |
| | RX | *RX+ | |
| | RTS | TX- | RTX- |
| | CTS | *RX- | |
| | SGND | SGND | SGND |

* Do not leave floating, see par. 4.2.2 for connection details.

**NOTE**

To avoid electromagnetic interference when the scanner is connected to a CBX connection box, verify the jumper positions in the CBX as indicated in its Installation Manual.

4.1 POWER SUPPLY

Power can be supplied to the scanner through the CBX100/500 spring clamp terminal pins as shown in Figure 38:

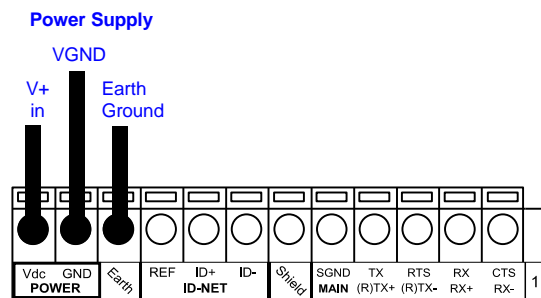


Figure 38 - Power Supply Connections

The power must be between 10 and 30 Vdc only.

For DS2400N Subzero models using CBX100 LT the power must be 24 Vdc.

It is recommended to connect the device CHASSIS to earth ground (Earth) by setting the appropriate jumper in the CBX connection box. See the CBX Installation Manual for details.

4.2 MAIN SERIAL INTERFACE

**CAUTION**

Do not connect to the Main Interface spring clamp terminals if using Host Interface Modules (Fieldbus) with the CBX500.

The signals relative to the following serial interface types are available on the CBX spring clamp terminal blocks.

If the interface type is not compatible with the current communication handshaking, then the system forces the handshake to **none**.

The main interface type and the relative parameters (baud rate, data bits, etc.) can be set using the Genius™ utility program or the Genius™ based Host Mode Programming procedure.

Details regarding the connections and use of the interfaces are given in the next paragraphs.

4.2.1 RS232 Interface

The serial interface is used in this case for point-to-point connections; it handles communication with the host computer and allows both transmission of code data and the programming of the scanner. This is the default setting.

The following pins are used for RS232 interface connection:

| CBX100/500 | Function |
|------------|-----------------|
| TX | Transmit Data |
| RX | Receive Data |
| RTS | Request To Send |
| CTS | Clear To Send |
| SGND | Signal Ground |

It is always advisable to use shielded cables. The overall maximum cable length must be less than 15 m (49.2 ft).

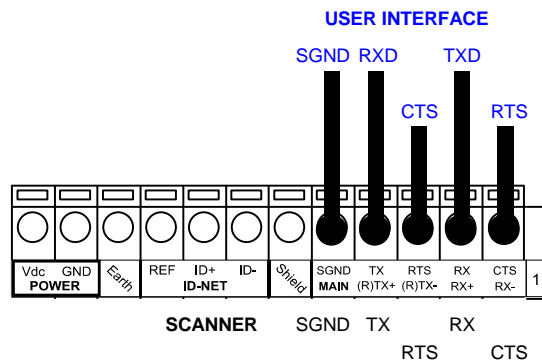


Figure 39 – RS232 Main Interface Connections Using Hardware Handshaking

The RTS and CTS signals control data transmission and synchronize the connected devices.

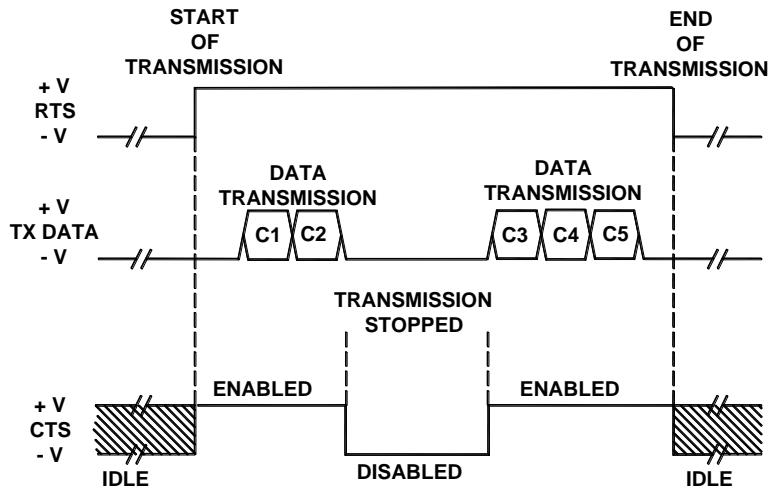


Figure 40 - RS232 Control Signals

If the RTS/CTS handshaking protocol is enabled, the DS2400N activates the RTS output to indicate a message is to be transmitted. The receiving unit activates the CTS input to enable the transmission.

4.2.2 RS485 Full-Duplex Interface

The RS485 full-duplex (5 wires + shield) interface is used for non-pollled communication protocols in point-to-point connections over longer distances (max 1200 m / 3940 ft) than those acceptable for RS232 communications or in electrically noisy environments.

The CBX pinout follows:

| CBX100/500 | Function |
|------------|-----------------------|
| TX+ | RS485 Transmit Data + |
| RX+ | RS485 Receive Data + |
| TX- | RS485 Transmit Data - |
| RX- | RS485 Receive Data - |
| SGND | Signal Ground |

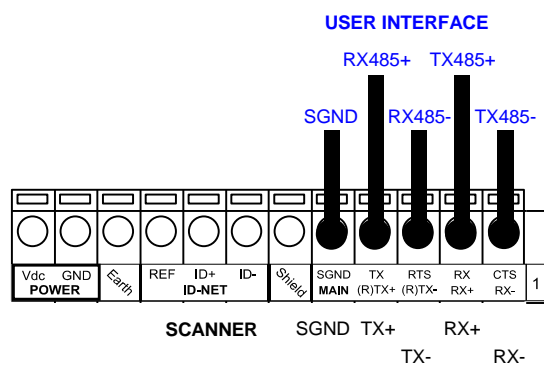


Figure 41 - RS485 Full-duplex Connections



NOTE

For applications that do not use RX485 signals, do not leave these lines floating but connect them to SGND as shown below.

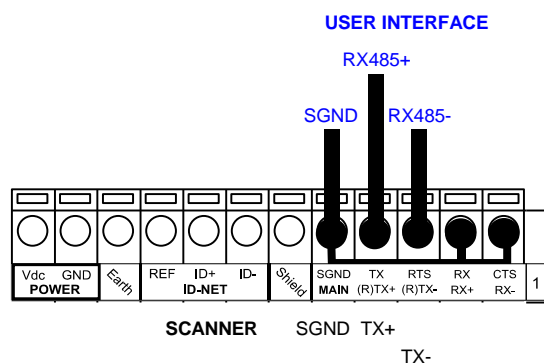



Figure 42 - RS485 Full-duplex Connections using Only TX Signals

4.2.3 RS485 Half-Duplex Interface



NOTE

This interface is provided for backward compatibility. We recommend using the more efficient ID-NET™ network for Master/Slave or Multiplexer layouts.

The RS485 half-duplex (3 wires + shield) interface is used for polled communication protocols.

It can be used for Multidrop connections with a Datalogic Multiplexer, (see par. 6.5) exploiting a proprietary protocol based on polled mode called MUX32 protocol, where a master device polls slave devices to collect data.

| CBX100/500 | Function |
|------------|-------------------------------|
| RTX+ | RS485 Receive/Transmit Data + |
| RTX- | RS485 Receive/Transmit Data - |
| SGND | Signal Ground |

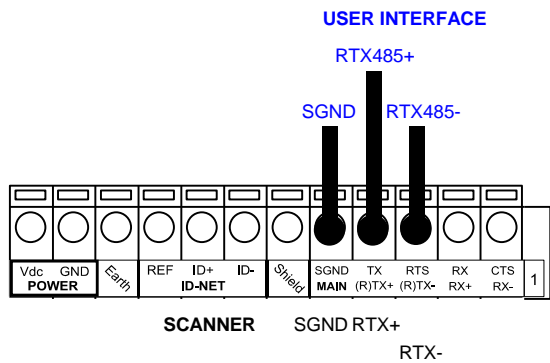



Figure 43 - RS485 Half-duplex Connections

This interface is forced by software when the protocol selected is MUX32 protocol.

In a Multiplexer layout, the Multidrop address must also be set via serial channel by the Genius™ utility or by the Host Programming Mode.

Figure 44 shows a multidrop configuration with DS2400N scanners connected to a Multiplexer.



CAUTION

This is an example of multidrop wiring. Consult the multiplexer manual for complete wiring instructions.

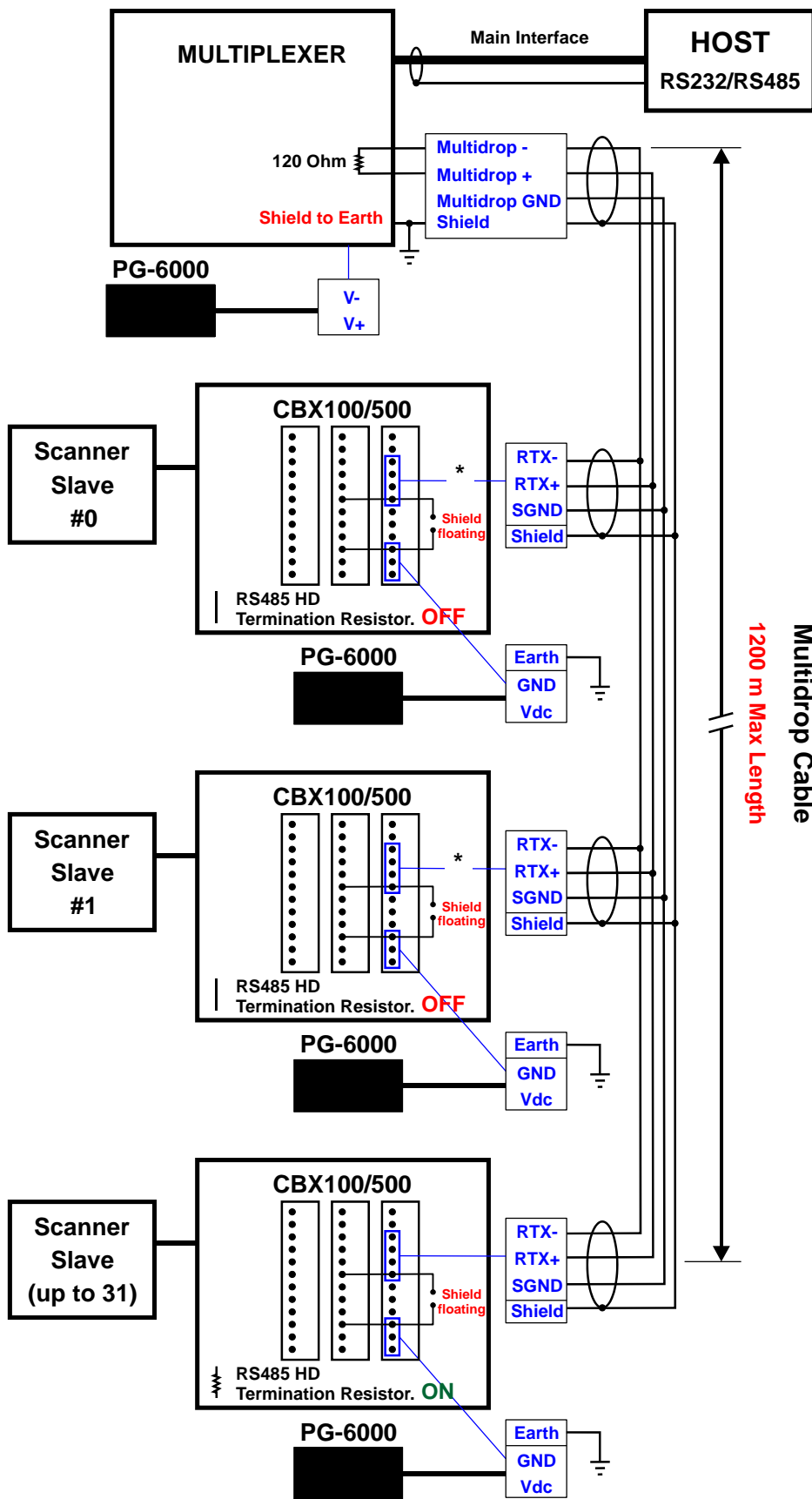


Figure 44 - DS2400N Multidrop Connection to a Multiplexer

* When using CBX500, the **Main** interface multidrop network signals: **Shield**, **SGND**, **RTX+** and **RTX-** are repeated on terminal connector row 4 to facilitate system cabling.

4.3 ID-NET™ INTERFACE

| CBX100/500 | Function |
|------------|----------------------|
| Shield | Network Cable Shield |
| ID+ | ID-NET™ network + |
| ID- | ID-NET™ network - |
| REF | Network Reference |


4.3.1 ID-NET™ Cables

The following instructions are referred to Figure 46, Figure 47 and Figure 48.

- The general cable type specifications are: CAT5 twisted pair + additional CAT5 twisted pair, shielded cable AWG 24 (or AWG 22) stranded flexible.
We recommend using DeviceNet cables (drop or trunk type) to the following reference standards:
 AN50325 – IEC 62026
 UL STYLE 2502 80°C 30V
- Cable Shield **MUST** be connected to earth ground **ONLY** at the Master.
- **NEVER** use ID-NET™ cable shield as common reference.
- The ID-NET™ max cable length depends on the baudrate used, (see the Baudrate Table below).
- For Common Power Connections use only 2 wires (ID+ and ID-).
 - DC Voltage Power cable (Vdc – GND) should be handled as a signal cable (i.e. do not put it together with AC cable):
 - Wire dimensioning must be checked in order to avoid voltage drops greater than 0.8 Volts.
 - Cable should lie down as near as possible to the ID-NET™ cable (avoiding wide loops between them).
- Scanner's chassis may be connected to earth.
- Network inside the same building.

| Baudrate Table | | | | |
|----------------|----------|----------|-----------------|-------|
| Baud Rate | 125 kbps | 250 kbps | 500 kbps | 1Mbps |
| Cable Length | 1200 m | 900 m | 700 m | * |

* Application dependent, contact your Datalogic Automation representative for details.

| | |
|--|--|
|  NOTE | <p><i>The default ID-NET™ baudrate is 500 kbps. Lower ID-NET™ baudrates allow longer cable lengths. The baudrate is software configurable by authorized Datalogic Automation personnel only.</i></p> |
|--|--|

4.3.2 ID-NET™ Response Time

The following figure shows the response time of the ID-NET™ network. This time is defined as the period between the Trigger activation and the beginning of data transmission to the Host.

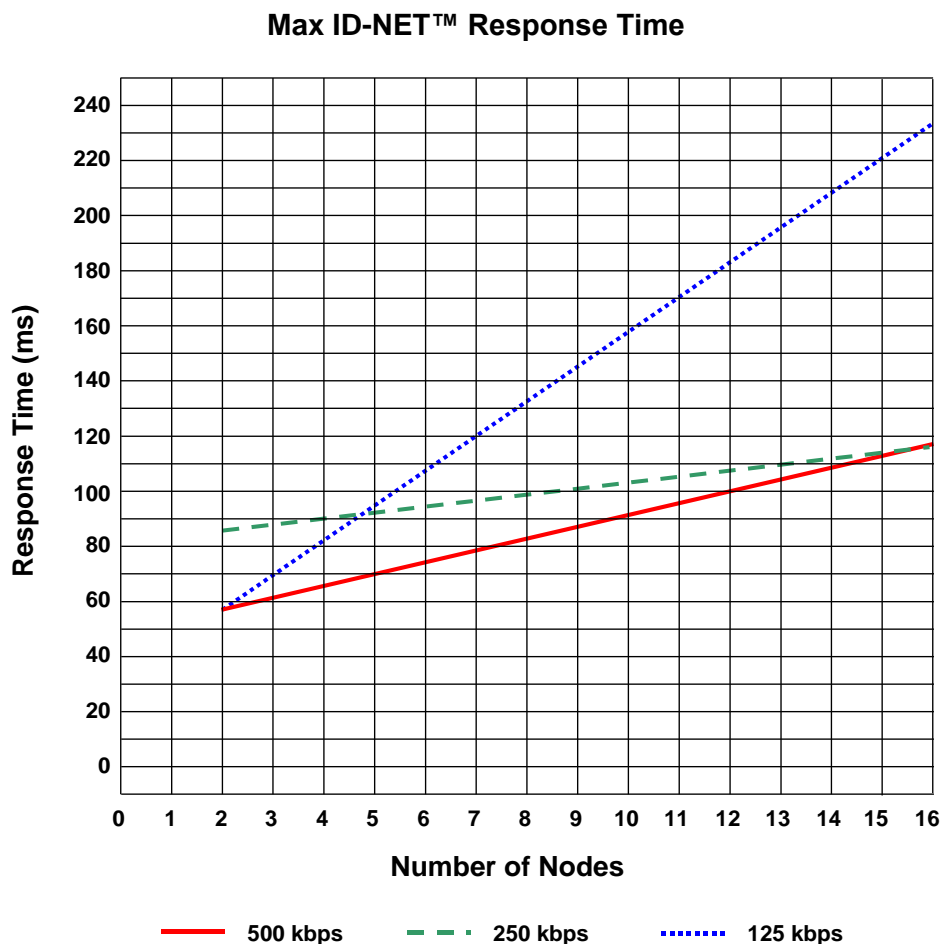


Figure 45 – ID-NET™ Response Time

CONDITIONS:

- ID-NET™ M/S Synchronized layout
- message length = 50 bytes per node

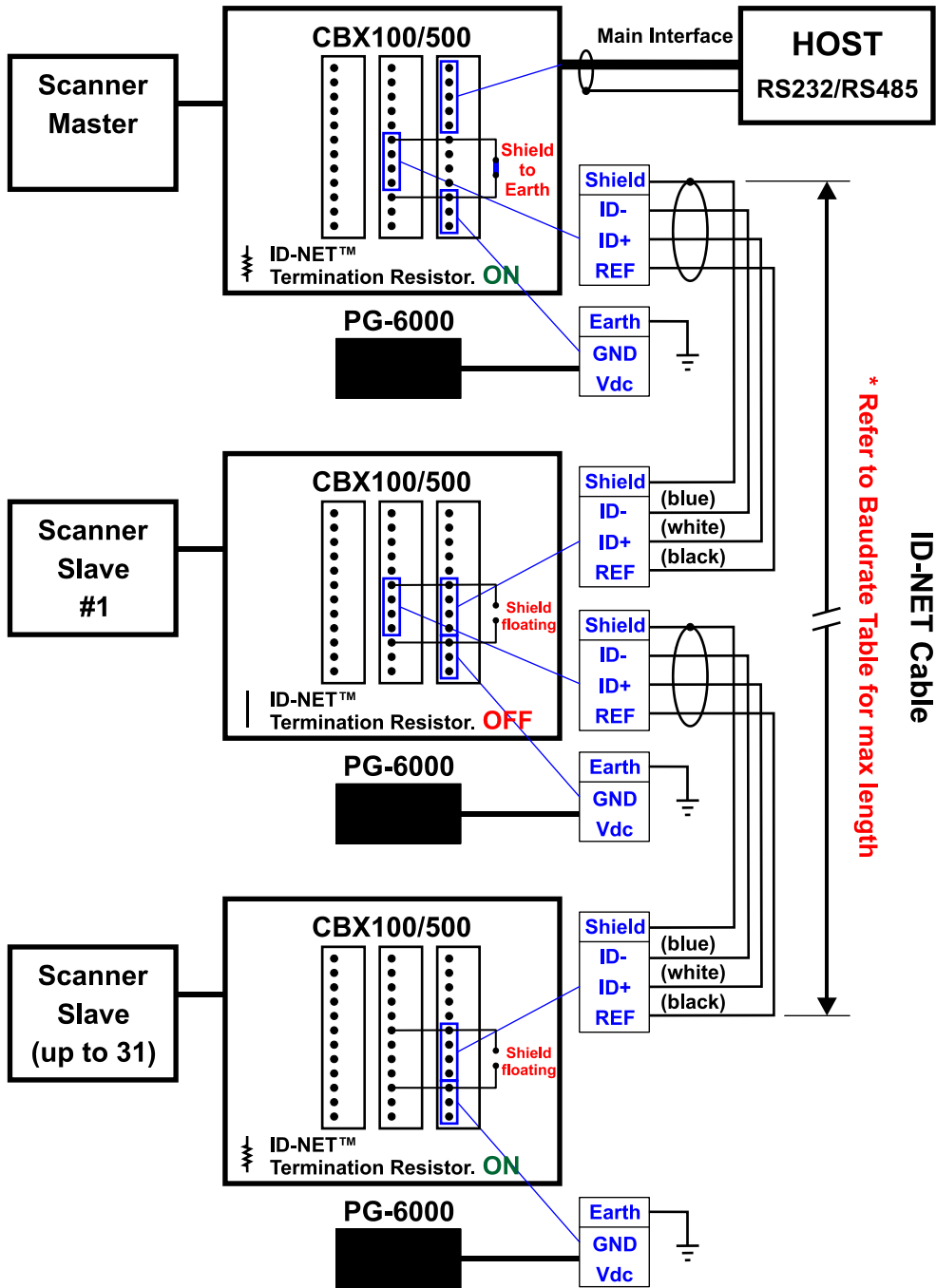


Figure 46 – ID-NET™ Network Connections with isolated power blocks

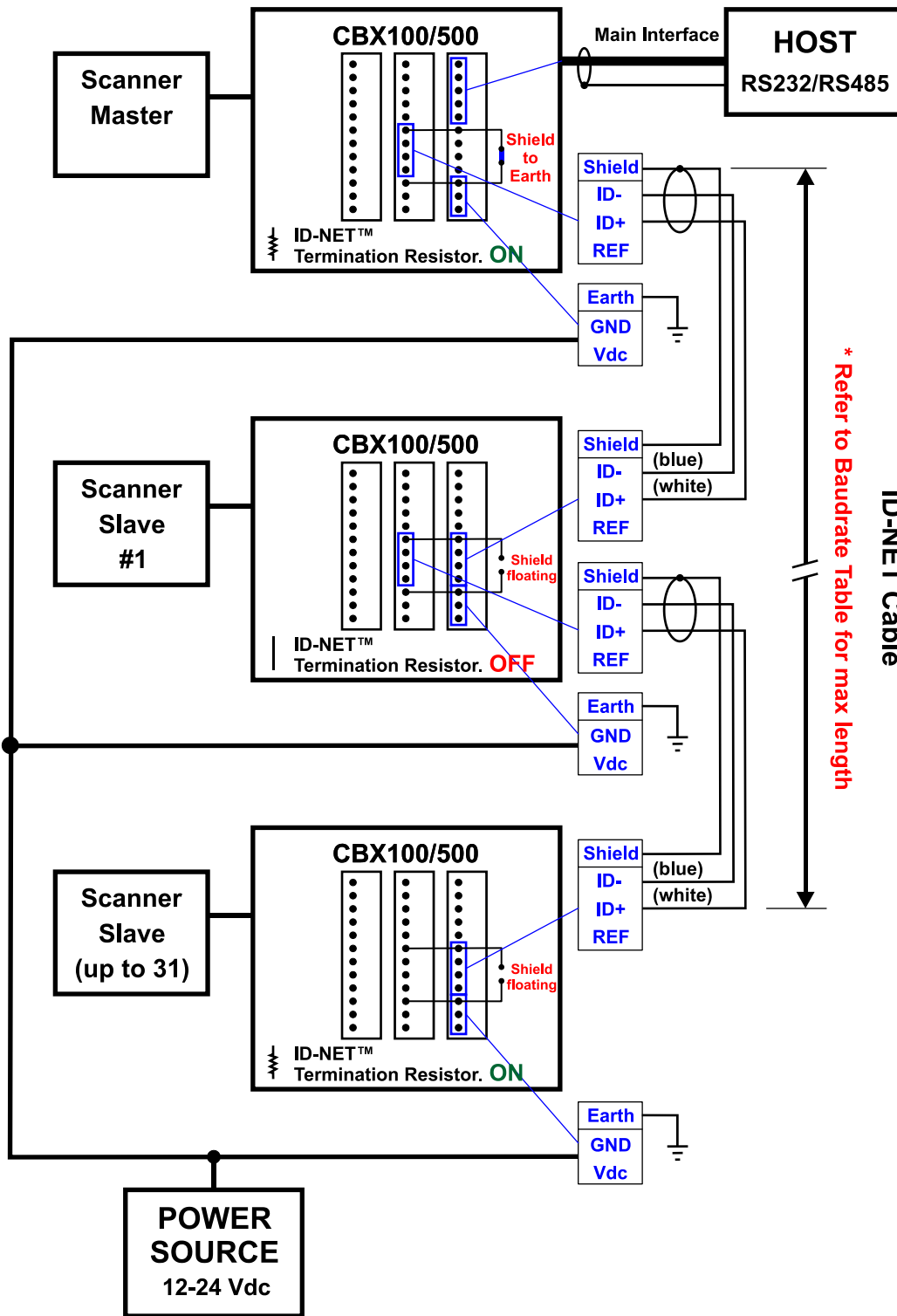


Figure 47 - ID-NET™ Network Connections with Common Power Branch Network

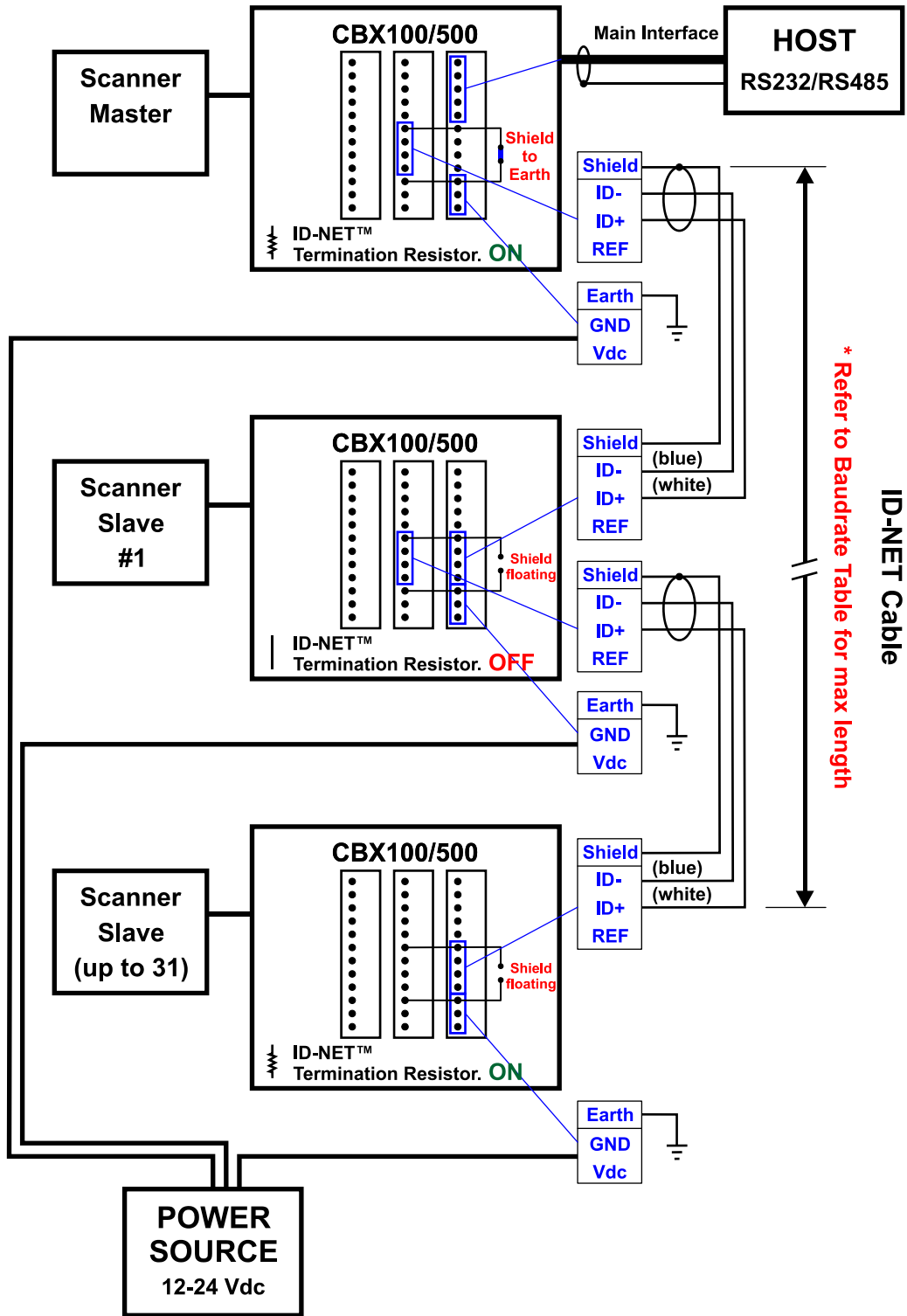


Figure 48 – ID-NET™ Network Connections with Common Power Star Network

4.3.3 ID-NET™ Network Termination

The network must be properly terminated in the first and last scanner of the network. This is done by setting the ID-NET™ Termination Resistance Switch in the CBX100/500 to ON.

4.4 AUXILIARY RS232 INTERFACE

The auxiliary serial interface is used exclusively for RS232 point-to-point connections.

The parameters relative to the aux interface (baud rate, data bits, etc.) as well as particular communication modes such as LOCAL ECHO can be defined using the Genius™ utility program or Genius™ based Host Mode Programming installed from the CD-ROM.

The 9-pin female Auxiliary Interface connector inside the CBX is the preferred connector for device configuration or communication monitoring.

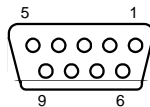


Figure 49 - 9-pin female connector

If permanent system wiring is required, the following pins are used to connect the RS232 auxiliary interface:

| CBX100/500 | Function |
|------------|-----------------------------------|
| RX | Auxiliary Interface Receive Data |
| TX | Auxiliary Interface Transmit Data |
| SGND | Auxiliary Interface Reference |

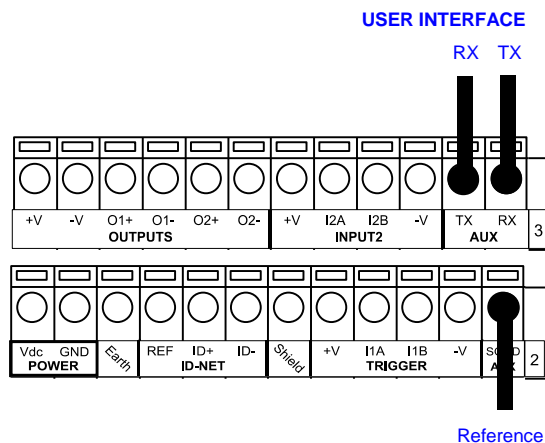


Figure 50 - RS232 Auxiliary Interface Connections



Do not connect the Aux Interface to the CBX spring clamp connectors and the 9-pin connector simultaneously.

4.5 INPUTS

There are two optocoupled polarity insensitive inputs available on the scanner: Input 1 (External Trigger) and Input 2, a generic input:

The electrical features of both inputs are:

- Maximum voltage: 30 Vdc
- Maximum current: 12 mA (scanner) + 12 mA (CBX)

An anti-disturbance filter is implemented in software on both inputs so that the minimum pulse duration is \cong 5 milliseconds. This value can be increased through the software parameter Debounce Filter, see the "2K/4K Family Software Configuration Parameter Guide" Help file".

| CBX100/500 | Function |
|------------|---|
| +V | Power Source - External Trigger |
| I1A | External Trigger A (polarity insensitive) |
| I1B | External Trigger B (polarity insensitive) |
| -V | Power Reference - External Trigger |

The External Trigger input is used in the On-Line operating Mode and tells the scanner to scan for a code. The active state of this input is selected in software. Refer to the Genius™ Help On Line.

The yellow Trigger LED (Figure A, 3) is on when the active state of the External Trigger corresponds to ON.

This input is optocoupled and can be driven by both an NPN and PNP type command. The connections are indicated in the following diagrams:

EXTERNAL TRIGGER INPUT CONNECTIONS USING DS2400N POWER

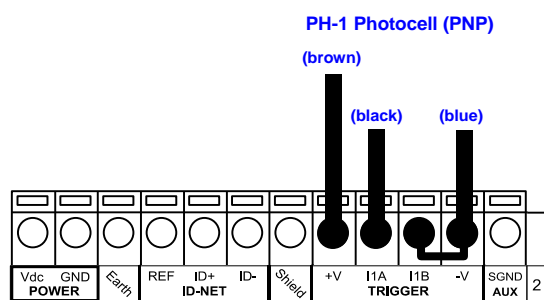


Figure 51 – PH-1 (PNP) External Trigger Using DS2400N Power

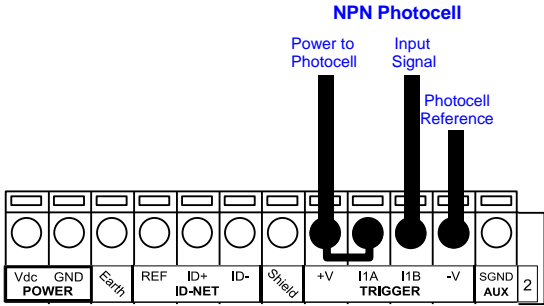


Figure 52 - NPN External Trigger Using DS2400N Power

EXTERNAL TRIGGER INPUT CONNECTIONS USING EXTERNAL POWER

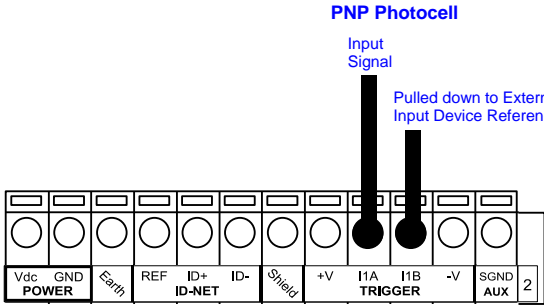


Figure 53 - PNP External Trigger Using External Power

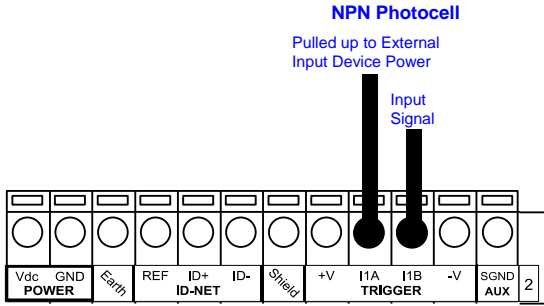
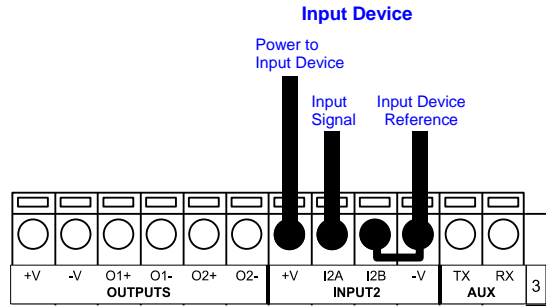


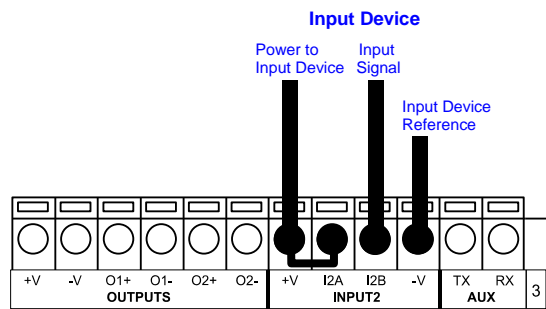
Figure 54 - NPN External Trigger Using External Power

| CBX100/500 | Function |
|------------|----------------------------------|
| +V | Power Source - Inputs |
| I2A | Input 2 A (polarity insensitive) |
| I2B | Input 2 B (polarity insensitive) |
| -V | Power Reference - Inputs |

INPUT 2 CONNECTIONS USING DS2400N POWER



PNP Input 2 Using DS2400N Power



NPN Input 2 Using DS2400N Power

INPUT 2 CONNECTIONS USING EXTERNAL POWER

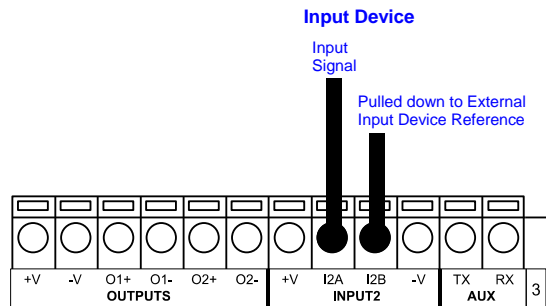


Figure 55 - PNP Input 2 Using External Power

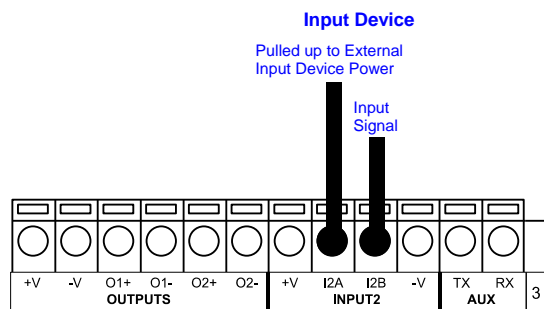


Figure 56 - NPN Input 2 Using External Power

4.5.1 Code Verifier

If the DS2400N is used as a Code Verifier, the verifier code can be configured in software through the Genius™ configuration program. However it is also possible to use one of the inputs to trigger when the scanner should store a code read as the verifier code.

The Code Verifier parameter must be enabled, and the configuration parameters to allow correct Code Type reading must be saved to the scanner in order to read the verifier code.

When the selected input is activated, the next read code will be stored as the verifier code in the scanner's non-volatile (Flash) memory.

For more details see the Verifier Parameters in the "2K/4K Family Software Configuration Parameter Guide" Help file".

4.6 OUTPUTS

Two general purpose outputs are available.

| CBX100/500 | Function |
|------------|-------------------------|
| +V | Power Source - Outputs |
| O1+ | Output 1 + |
| O1- | Output 1 - |
| O2+ | Output 2 + |
| O2- | Output 2 - |
| -V | Power Reference Outputs |

The meaning of the two outputs Output 1 and Output 2 can be defined by the user (No Read, Right, Wrong, etc.). Refer to the Genius™ Help On Line.

By default, Output 1 is associated with the No Read event, which activates when the code signaled by the external trigger is not decoded, and Output 2 is associated with the Complete Read event, which activates when all the selected codes are correctly decoded.

The output signals are fully programmable being determined by the configured Activation/Deactivation events, Deactivation Timeout or a combination of the two.

OUTPUT CONNECTIONS USING DS2400N POWER

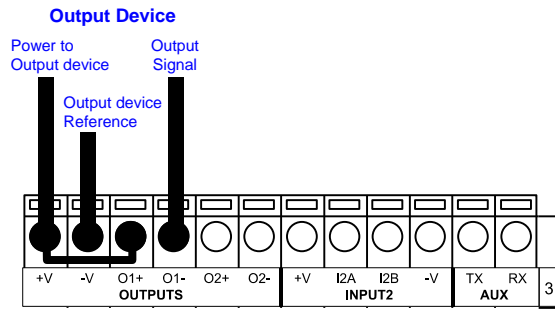


Figure 57 - Open Emitter Output Using DS2400N Power

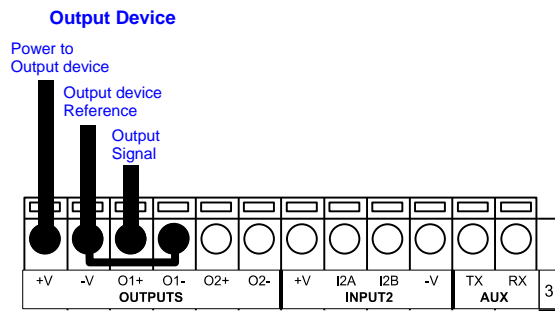


Figure 58 - Open Collector Output Using DS2400N Power

OUTPUT CONNECTIONS USING EXTERNAL POWER

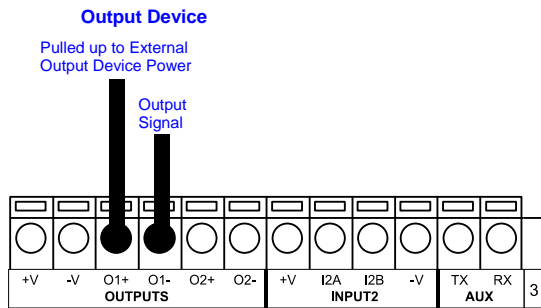


Figure 59 - Open Emitter Output Using External Power

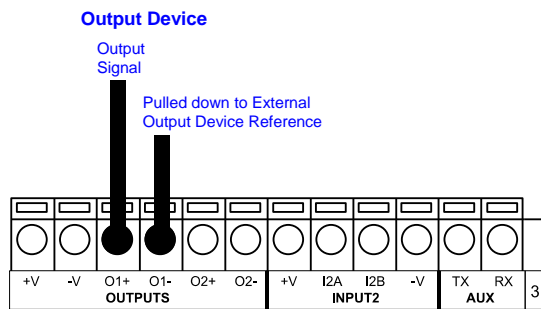


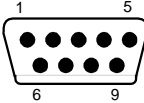
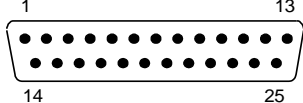
Figure 60 - Open Collector Output Using External Power

$V_{CE\ max} = 30\ Vdc$

40 mA continuous max.; 130 mA pulsed max.

4.7 USER INTERFACE - HOST

The following table contains the pinout for standard RS232 PC Host interface. For other user interface types please refer to their own manual.

| RS232 PC-side connections | | | |
|---|-------------|--|-------------|
|  | |  | |
| 9-pin male connector | | 25-pin male connector | |
| Pin | Name | Pin | Name |
| 2 | RX | 3 | RX |
| 3 | TX | 2 | TX |
| 5 | GND | 7 | GND |
| 7 | RTS | 4 | RTS |
| 8 | CTS | 5 | CTS |

5 25-PIN CABLE ELECTRICAL CONNECTIONS

All DS2400N models are equipped with a cable terminated by a 25-pin male D-sub connector for connection to the power supply and input/output signals. The details of the connector pins are indicated in the following table.

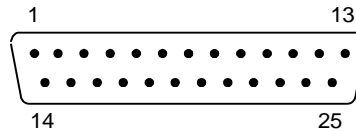


Figure 61 - 25-pin Male D-sub Connector

| 25-pin D-sub male connector pinout | | | | |
|------------------------------------|-----------------------------------|---|-------------------|-------------------|
| Pin | Name | Function | | |
| 13, 9 | Vdc | Power supply input voltage + | | |
| 25, 7 | GND | Power supply input voltage - | | |
| 1 | CHASSIS | Cable shield connected to chassis | | |
| 18 | I1A | External Trigger A (polarity insensitive) | | |
| 19 | I1B | External Trigger B (polarity insensitive) | | |
| 6 | I2A | Input 2 A (polarity insensitive) | | |
| 10 | I2B | Input 2 B (polarity insensitive) | | |
| 8 | O1+ | Output 1 + | | |
| 22 | O1- | Output 1 - | | |
| 11 | O2+ | Output 2 + | | |
| 12 | O2- | Output 2 - | | |
| 20 | RX | Auxiliary Interface RX | | |
| 21 | TX | Auxiliary Interface TX | | |
| 23 | ID+ | ID-NET™ network + | | |
| 24 | ID- | ID-NET™ network - | | |
| 14, 15, 16, 17 | NC | Not Connected | | |
| Pin | Name | RS232 | RS485 Full-Duplex | RS485 Half-Duplex |
| 2 | MAIN INTERFACE (SW SELECTABLE) | TX | TX+ | RTX+ |
| 3 | | RX | *RX+ | |
| 4 | | RTS | TX- | RTX- |
| 5 | | CTS | *RX- | |

* Do not leave floating, see par. 5.2.2 for connection details.

5.1 POWER SUPPLY

Power can be supplied to the scanner through the pins provided on the 25-pin connector used for communication with the host (Figure 62):

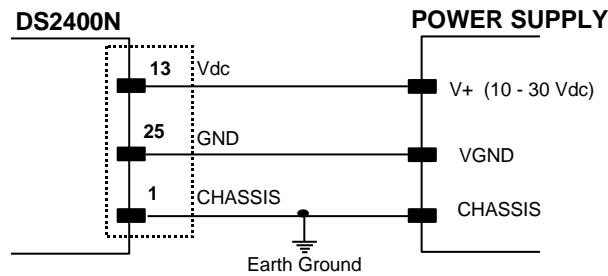


Figure 62 - Power Supply Connections

The power must be between 10 and 30 Vdc only.

For DS2400N Subzero models the power must be 24 Vdc.

It is recommended to connect pin 1 (CHASSIS) to a common earth ground.

5.2 MAIN SERIAL INTERFACE

The signals relative to the following serial interface types are available on the input/output connector of DS2400N.

If the interface type is not compatible with the current communication handshaking, then the system forces the handshake to **none**.

The main interface type and the relative parameters (baud rate, data bits, etc.) can be set using the Genius™ utility program or the Genius™ based Host Mode Programming procedure.

Details regarding the connections and use of the interfaces are given in the next paragraphs.

5.2.1 RS232 Interface

The serial interface is used in this case for point-to-point connections; it handles communication with the host computer and allows both transmission of code data and the programming of the scanner. This is the default setting.

The following pins are used for RS232 interface connection:

| 25-pin | Name | Function |
|--------|------|-----------------|
| 2 | TX | Transmit Data |
| 3 | RX | Receive Data |
| 4 | RTS | Request To Send |
| 5 | CTS | Clear To Send |
| 7 | GND | Ground |

It is always advisable to use shielded cables. The overall maximum cable length must be less than 15 m (49.2 ft).

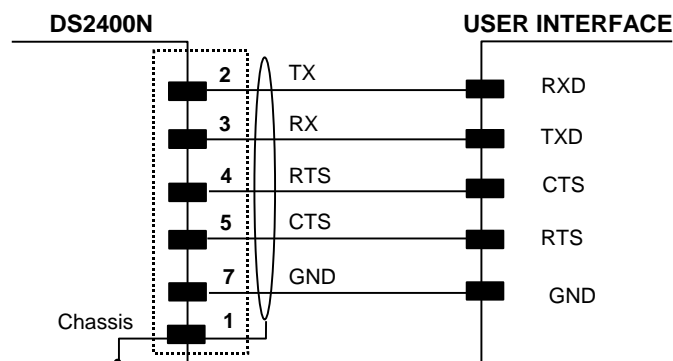


Figure 63 – RS232 Main Interface Connections Using Hardware Handshaking

The RTS and CTS signals control data transmission and synchronize the connected devices.

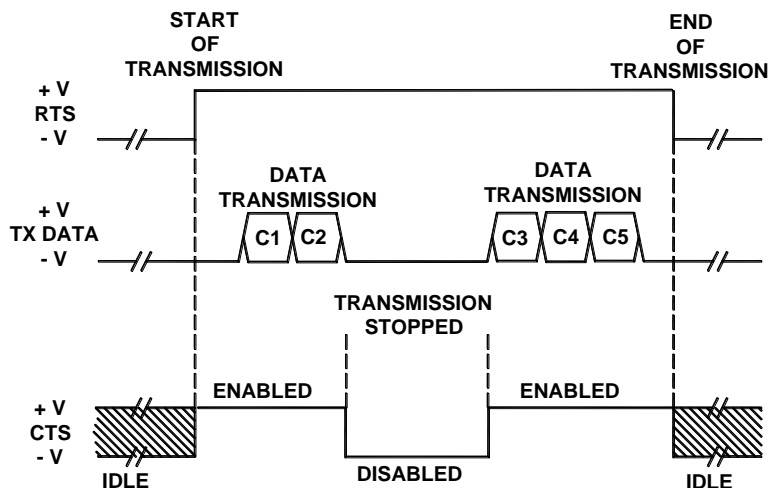


Figure 64 - RS232 Control Signals

If the RTS/CTS handshaking protocol is enabled, the DS2400N activates the RTS output to indicate a message is to be transmitted. The receiving unit activates the CTS input to enable the transmission.

5.2.2 RS485 Full-Duplex Interface

The RS485 full-duplex (5 wires + shield) interface is used for non-pollled communication protocols in point-to-point connections over longer distances (max 1200 m / 3940 ft) than those acceptable for RS232 communications or in electrically noisy environments.

The connector pinout follows:

| 25-pin | Name | Function |
|--------|------|-----------------------|
| 2 | TX+ | RS485 Transmit Data + |
| 3 | RX+ | RS485 Receive Data + |
| 4 | TX- | RS485 Transmit Data - |
| 5 | RX- | RS485 Receive Data - |
| 7 | GND | Ground |

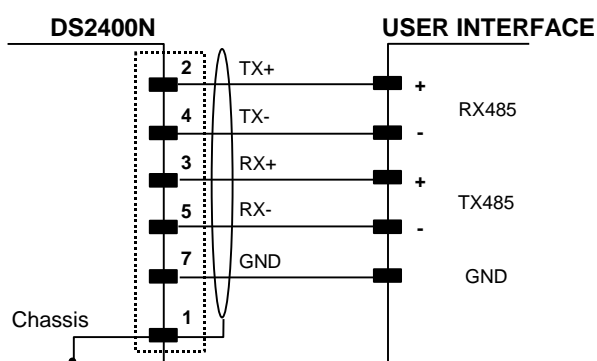


Figure 65 - RS485 Full-duplex Connections



NOTE

For applications that do not use RX signals, do not leave these lines floating but connect them to GND as shown below.

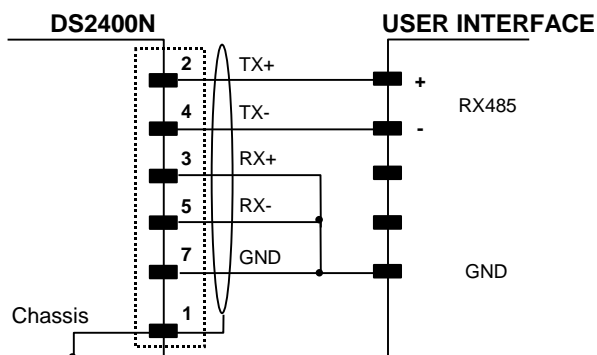


Figure 66 - RS485 Full-duplex Connections using Only TX Signals

5.2.3 RS485 Half-Duplex Interface



NOTE

This interface is provided for backward compatibility. We recommend using the more efficient ID-NET™ network for Master/Slave or Multiplexer layouts.

The RS485 half-duplex (3 wires + shield) interface is used for polled communication protocols.

It can be used for Multidrop connections with a Datalogic Multiplexer, (see par. 6.5) exploiting a proprietary protocol based on polled mode called MUX32 protocol, where a master device polls slave devices to collect data.

The connector pinout follows:

| 25-pin | Name | Function |
|--------|------|-------------------------------|
| 2 | RTX+ | RS485 Receive/Transmit Data + |
| 4 | RTX- | RS485 Receive/Transmit Data - |
| 7 | GND | Ground |

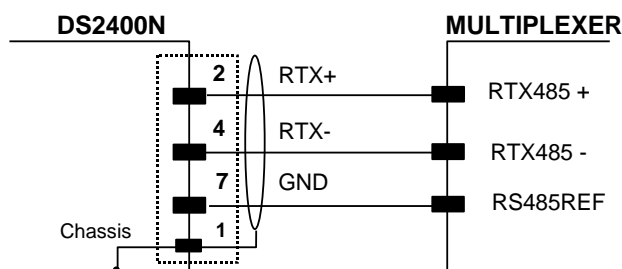


Figure 67 - RS485 Half-duplex Connections

This interface is forced by software when the protocol selected is MUX32 protocol.

In a Multiplexer layout, the Multidrop address must also be set via serial channel by the Genius™ utility or by the Host Programming Mode.

Figure 68 shows a multidrop configuration with DS2400N scanners connected to a Multiplexer.



CAUTION

This is an example of multidrop wiring. Consult the multiplexer manual for complete wiring instructions.

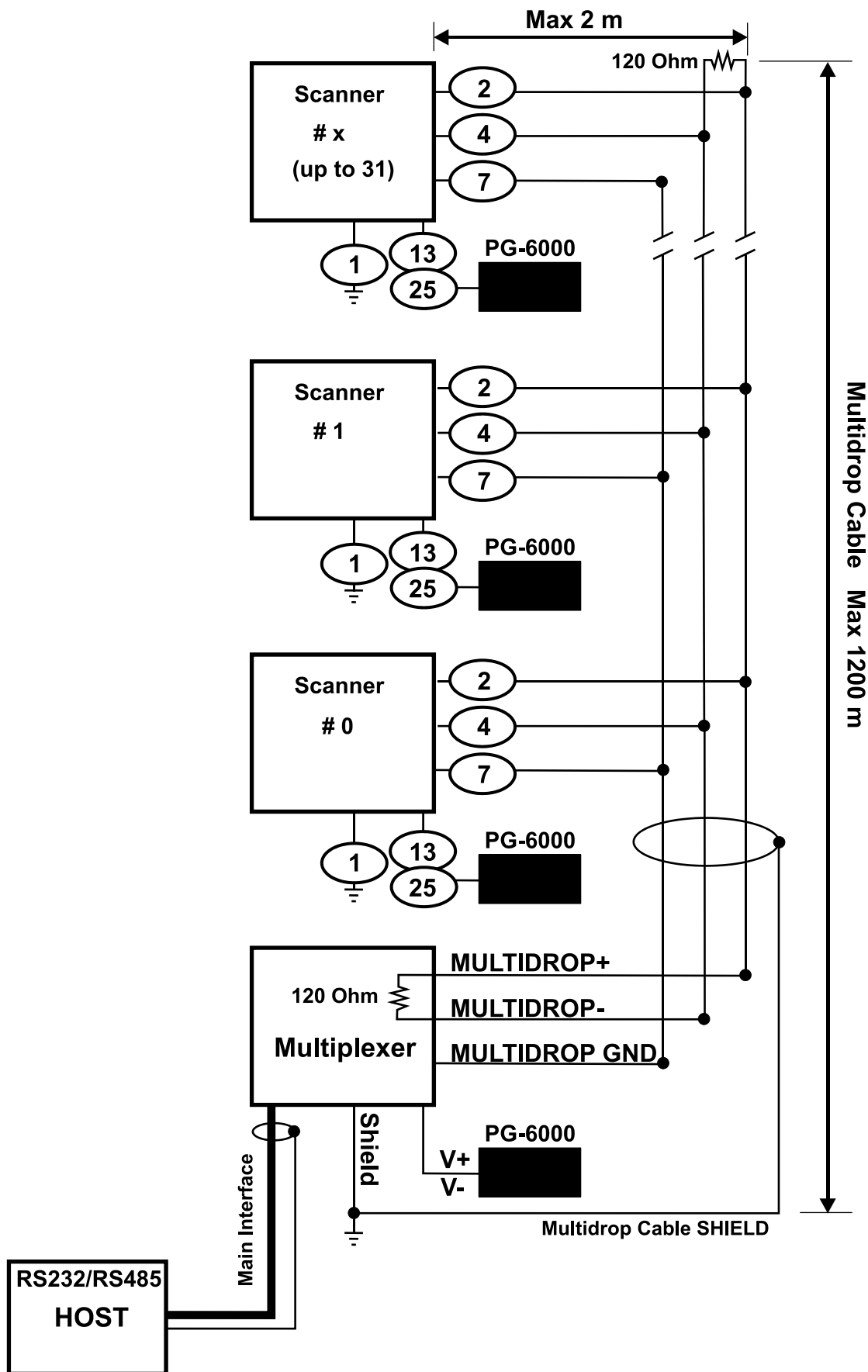


Figure 68 - DS2400N Multidrop Connection to a Multiplexer

5.3 ID-NET™ INTERFACE

| 25-pin | Name | Function |
|--------|------|-------------------|
| 23 | ID+ | ID-NET™ network + |
| 24 | ID- | ID-NET™ network - |
| 7 | GND | Ground |

5.3.1 ID-NET™ Cables

The following instructions are referred to Figure 70, Figure 71 and Figure 72.

- The general cable type specifications are: CAT5 twisted pair + additional CAT5 twisted pair, shielded cable AWG 24 (or AWG 22) stranded flexible.

We recommend using DeviceNet cables (drop or trunk type) to the following reference standards:

AN50325 – IEC 62026

UL STYLE 2502 80°C 30V

- Cable Shield MUST be connected to earth ground ONLY at the Master.
- NEVER use ID-NET™ cable shield as common reference.
- The ID-NET™ max cable length depends on the baudrate used, (see the Baudrate Table below).
- For Common Power Connections use only 2 wires (23 and 24).
 - DC Voltage Power cable (Vdc – GND) should be handled as a signal cable (i.e. do not put it together with AC cable):
 - Wire dimensioning must be checked in order to avoid voltage drops greater than 0.8 Volts.
 - Cable should lie down as near as possible to the ID-NET™ cable (avoiding wide loops between them).
- Scanner's chassis may be connected to earth.
- Network inside the same building.

| Baudrate Table | | | | |
|----------------|----------|----------|----------|-------|
| Baud Rate | 125 kbps | 250 kbps | 500 kbps | 1Mbps |
| Cable Length | 1200 m | 900 m | 700 m | * |

* Application dependent, contact your Datalogic Automation representative for details.



NOTE

The default ID-NET™ baudrate is 500 kbps. Lower ID-NET™ baudrates allow longer cable lengths. The baudrate is software configurable by authorized Datalogic Automation personnel only.

5.3.2 ID-NET™ Response Time

The following figure shows the response time of the ID-NET™ network. This time is defined as the period between the Trigger activation and the beginning of data transmission to the Host.

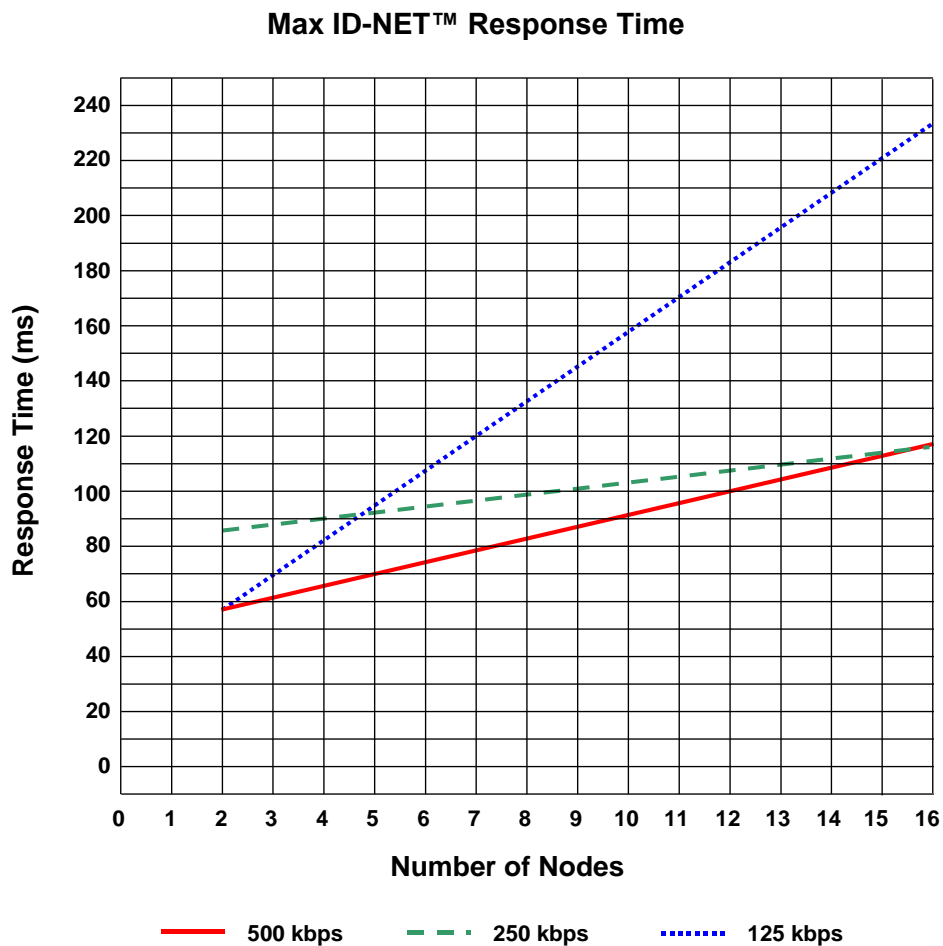


Figure 69 – ID-NET™ Response Time

CONDITIONS:

- ID-NET™ M/S Synchronized layout
- message length = 50 bytes per node

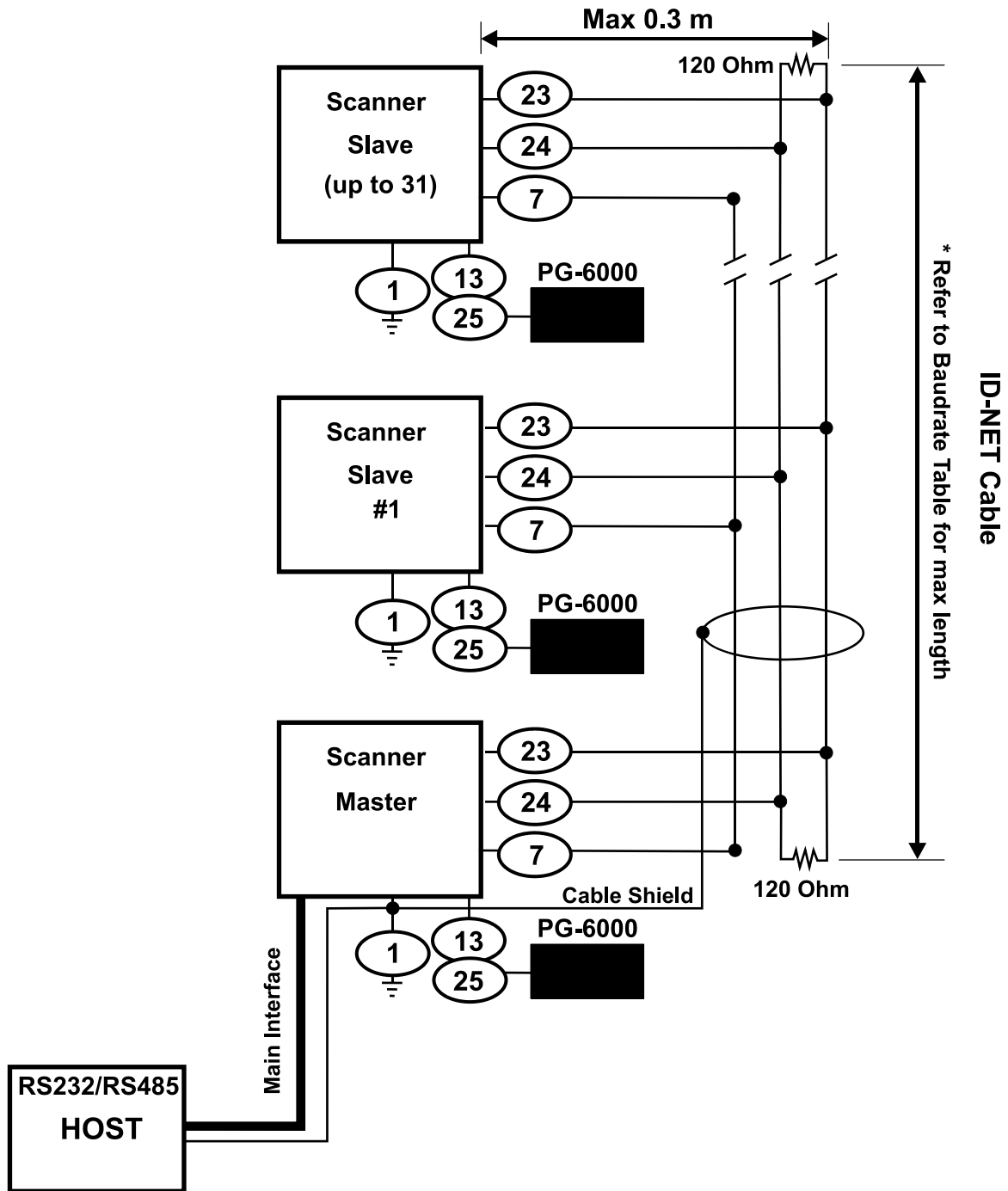


Figure 70 – ID-NET™ Network Connections with isolated power blocks

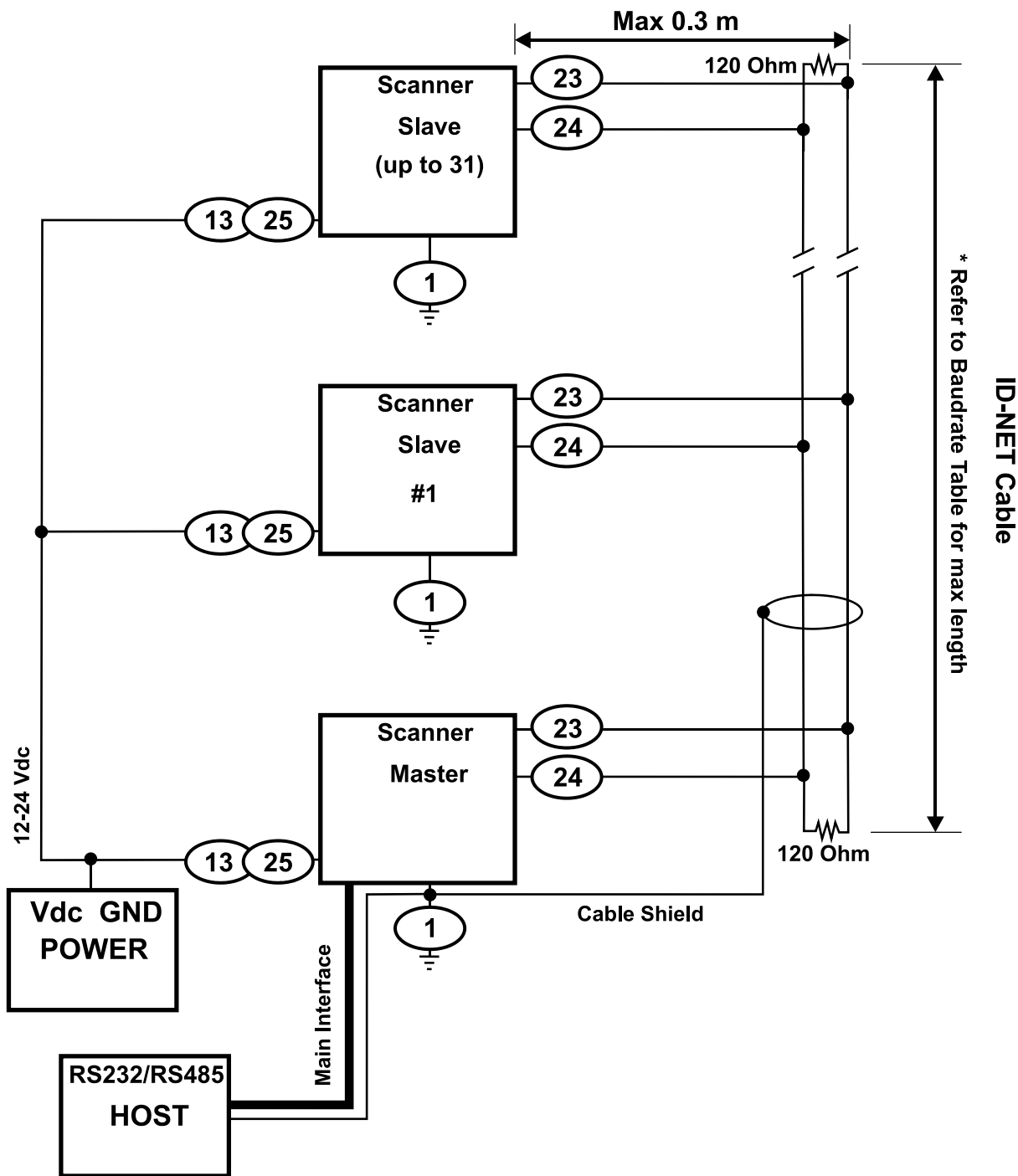


Figure 71 - ID-NET™ Network Connections with Common Power Branch Network

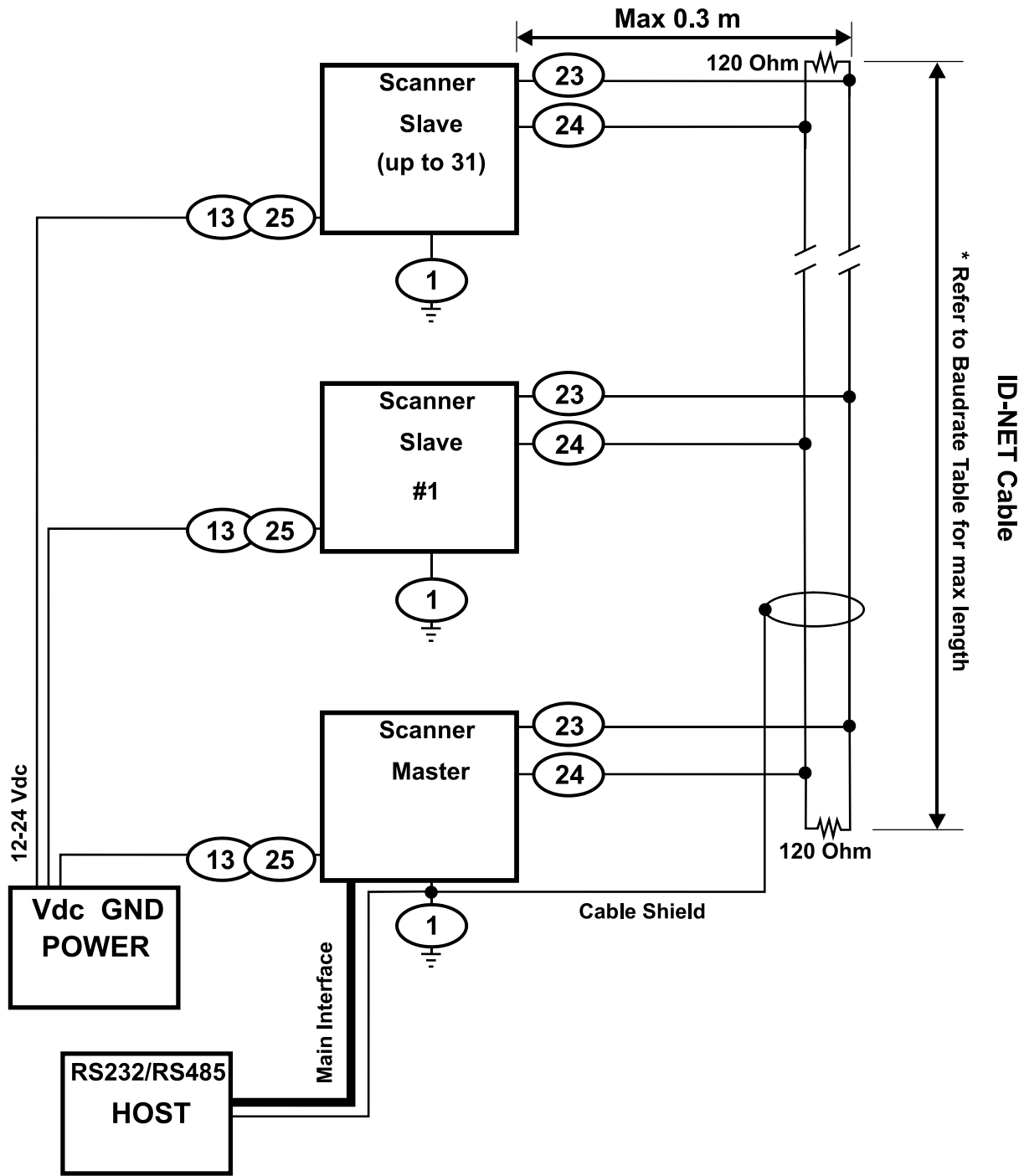


Figure 72 – ID-NET™ Network Connections with Common Power Star Network

5.3.3 ID-NET™ Network Termination

The network must be properly terminated by a 120 Ohm resistor at the first and last scanner of the network.

5.4 AUXILIARY RS232 INTERFACE

The auxiliary serial interface is used exclusively for RS232 point-to-point connections.

The parameters relative to the aux interface (baud rate, data bits, etc.) as well as particular communication modes such as LOCAL ECHO can be defined using the Genius™ utility program or Genius™ based Host Mode Programming installed from the CD-ROM.

The following pins of the 25-pin connector are used to connect the RS232 auxiliary interface:

| Pin | Name | Function |
|-----|------|---------------|
| 20 | RX | Receive Data |
| 21 | TX | Transmit Data |
| 7 | GND | Ground |

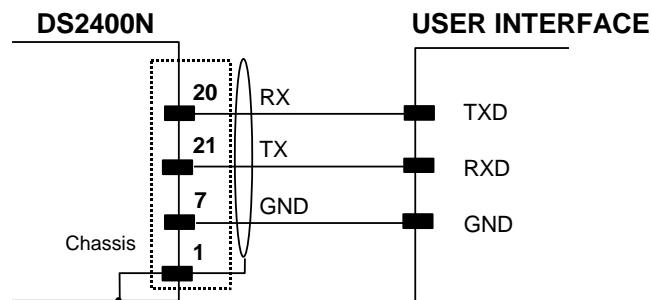


Figure 73 - RS232 Auxiliary Interface Connections

5.5 INPUTS

There are two optocoupled polarity insensitive inputs available on the scanner: Input 1 (External Trigger) and Input 2, a generic input:

The electrical features of both inputs are:

| | |
|------------------|--------|
| Maximum voltage: | 30 Vdc |
| Maximum current: | 12 mA |

An anti-disturbance filter is implemented in software on both inputs so that the minimum pulse duration is \cong 5 milliseconds. This value can be increased through the software parameter Debounce Filter, see the "2K/4K Family Software Configuration Parameter Guide" Help file".

| 25-pin | Name | Function |
|--------|------|---|
| 9 | Vdc | Power Source - External Trigger |
| 18 | I1A | External Trigger A (polarity insensitive) |
| 19 | I1B | External Trigger B (polarity insensitive) |
| 7 | GND | Power Reference - External Trigger |

The External Trigger input is used in the On-Line operating Mode and tells the scanner to scan for a code. The active state of this input is selected in software. Refer to the Genius™ Help On Line.

The yellow Trigger LED ([Figure A](#), 3) is on when the active state of the External Trigger corresponds to ON.

This input is optocoupled and can be driven by both an NPN and PNP type command. The connections are indicated in the following diagrams:

EXTERNAL TRIGGER INPUT PNP PH-1

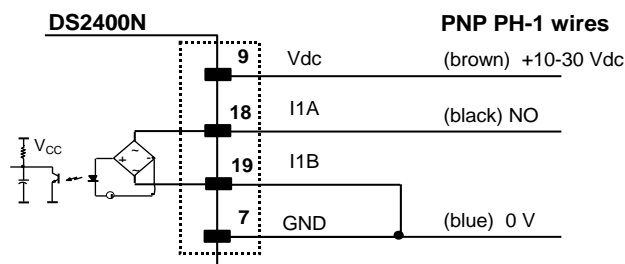


Figure 74 - PH-1 Photocell (PNP) External Trigger Using DS2400N Power

EXTERNAL TRIGGER INPUT CONNECTIONS USING DS2400N POWER

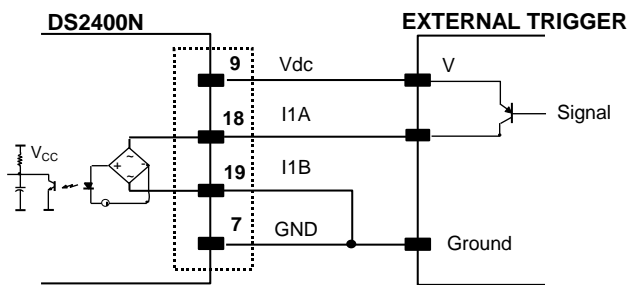


Figure 75 - PNP External Trigger Using DS2400N Power

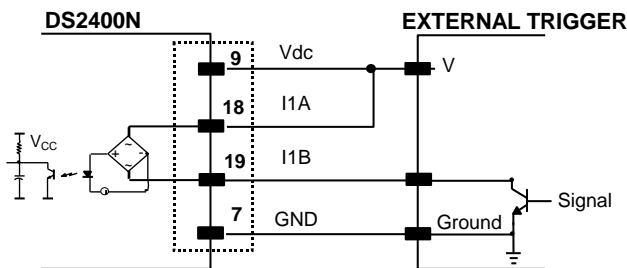


Figure 76 - NPN External Trigger using DS2400N Power

EXTERNAL TRIGGER INPUT CONNECTIONS USING EXTERNAL POWER

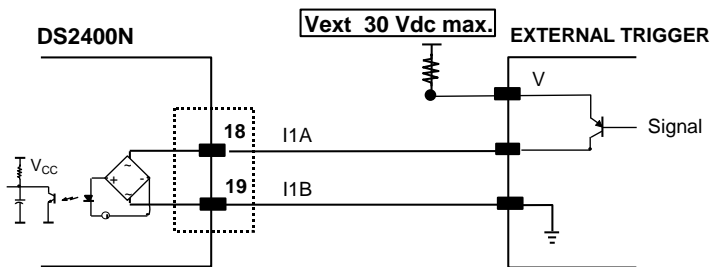


Figure 77 - PNP External Trigger Using External Power

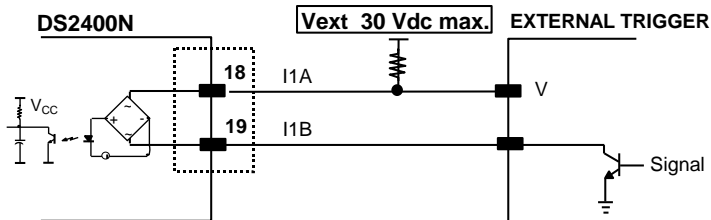


Figure 78 - NPN External Trigger Using External Power

| 25-pin | Name | Function |
|--------|------|----------------------------------|
| 9 | Vdc | Power Source Inputs |
| 6 | I2A | Input 2 A (polarity insensitive) |
| 10 | I2B | Input 2 B (polarity insensitive) |
| 7 | GND | Power Reference - Inputs |

INPUT 2 CONNECTIONS USING DS2400N POWER

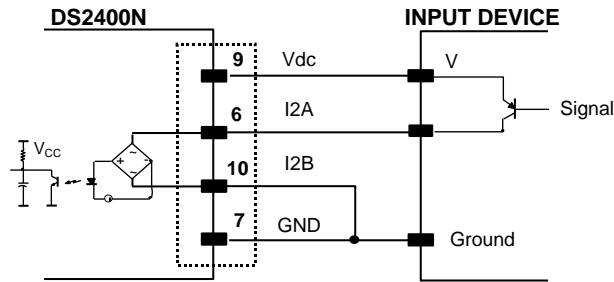


Figure 79 - PNP Input 2 Using DS2400N Power

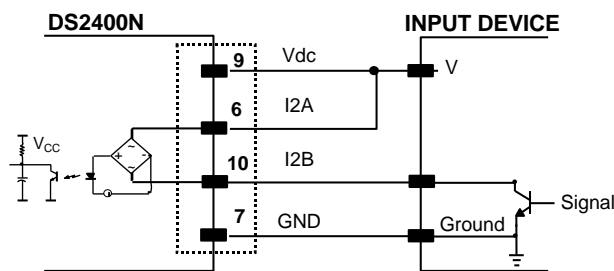


Figure 80 - NPN Input 2 Using DS2400N Power

INPUT 2 CONNECTIONS USING EXTERNAL POWER

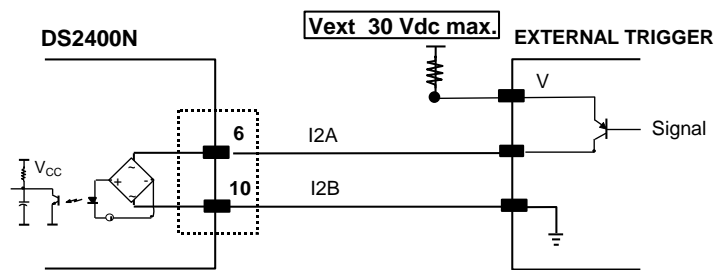


Figure 81 - PNP Input 2 Using External Power

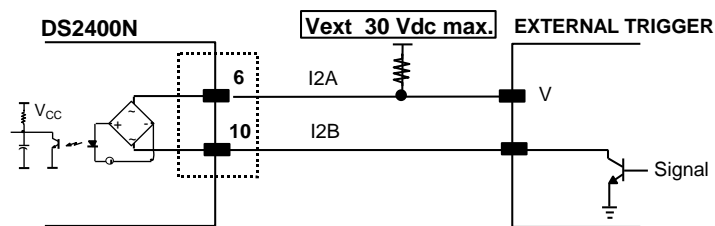


Figure 82 - NPN Input 2 Using External Power

5.5.1 Code Verifier

If the DS2400N is used as a Code Verifier, the verifier code can be configured in software through the Genius™ configuration program. However it is also possible to use one of the inputs to trigger when the scanner should store a code read as the verifier code.

The Code Verifier parameter must be enabled, and the configuration parameters to allow correct Code Type reading must be saved to the scanner in order to read the verifier code.

When the selected input is activated, the next read code will be stored as the verifier code in the scanner's non-volatile (Flash) memory.

For more details see the Verifier Parameters in the "2K/4K Family Software Configuration Parameter Guide" Help file".

5.6 OUTPUTS

Two general purpose outputs are available. The following pins are present on the 25-pin connector of the scanner:

| 25-pin | Name | Function |
|--------|------|---------------------------|
| 9 | Vdc | Power Source - Outputs |
| 8 | O1+ | Output 1 + |
| 22 | O1- | Output 1 - |
| 11 | O2+ | Output 2 + |
| 12 | O2- | Output 2 - |
| 7 | GND | Power Reference - Outputs |

The meaning of the two outputs Output 1 and Output 2 can be defined by the user (No Read, Right, Wrong, etc.). Refer to the Genius™ Help On Line.

By default, Output 1 is associated with the No Read event, which activates when the code signaled by the external trigger is not decoded, and Output 2 is associated with the Complete Read event, which activates when all the selected codes are correctly decoded.

The output signals are fully programmable being determined by the configured Activation/Deactivation events, Deactivation Timeout or a combination of the two.

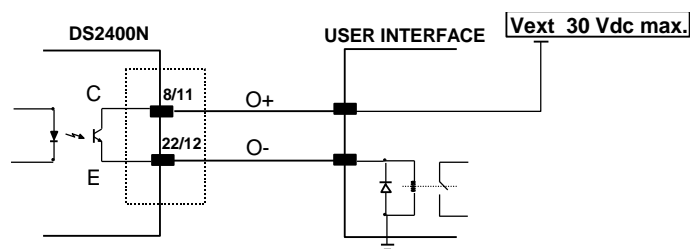


Figure 83 - Open Emitter Output Connections

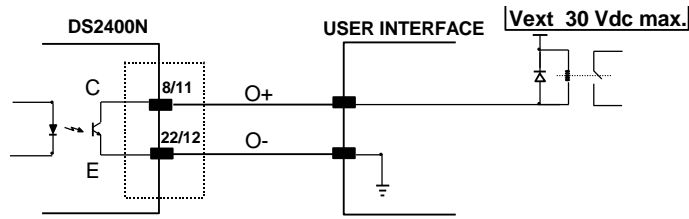


Figure 84 - Open Collector Output Connections

$V_{CE} \text{ max} = 30 \text{ Vdc}$

40 mA continuous max.; 130 mA pulsed max.

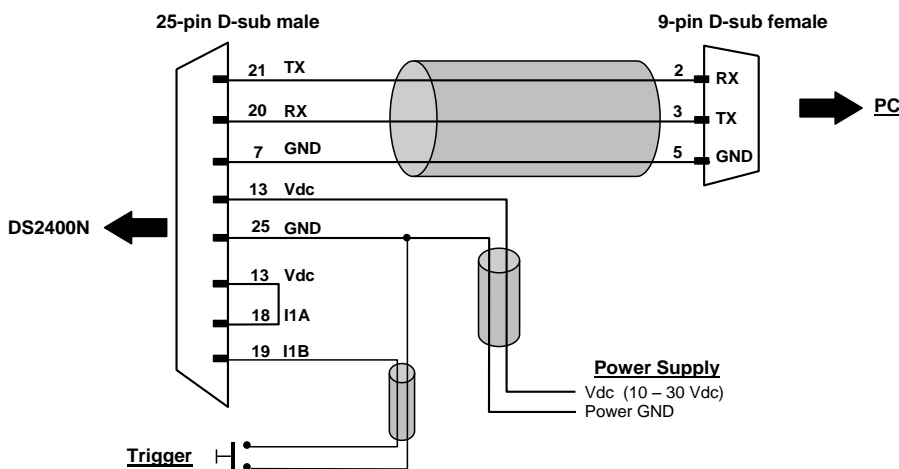
5.7 USER INTERFACE - HOST

The following table contains the pinout for standard RS232 PC Host interface. For other user interface types please refer to their own manual.

| RS232 PC-side connections | | | |
|-----------------------------|------|------------------------------|------|
| <p>9-pin male connector</p> | | <p>25-pin male connector</p> | |
| Pin | Name | Pin | Name |
| 2 | RX | 3 | RX |
| 3 | TX | 2 | TX |
| 5 | GND | 7 | GND |
| 7 | RTS | 4 | RTS |
| 8 | CTS | 5 | CTS |

How To Build A Simple Interface Test Cable:

The following wiring diagram shows a simple test cable including power, external (push-button) trigger and PC RS232 COM port connections.



Test Cable for DS2400N

6 TYPICAL LAYOUTS

The following typical layouts refer to system hardware configurations. Dotted lines in the figures refer to optional hardware configurations within the particular layout.

These layouts also require the correct setup of the software configuration parameters. Complete software configuration procedures can be found in the **Guide To Rapid Configuration** in the Genius™ Help On Line.

6.1 POINT-TO-POINT

In this layout the data is transmitted to the Host on the main serial interface. A Genius™ based Host Mode programming can be accomplished either through the main interface or the Auxiliary interface.

In Local Echo communication mode, data is transmitted on the RS232 auxiliary interface independently from the main interface selection.

When On-Line Operating mode is used, the scanner is activated by an External Trigger (photoelectric sensor) when the object enters its reading zone.

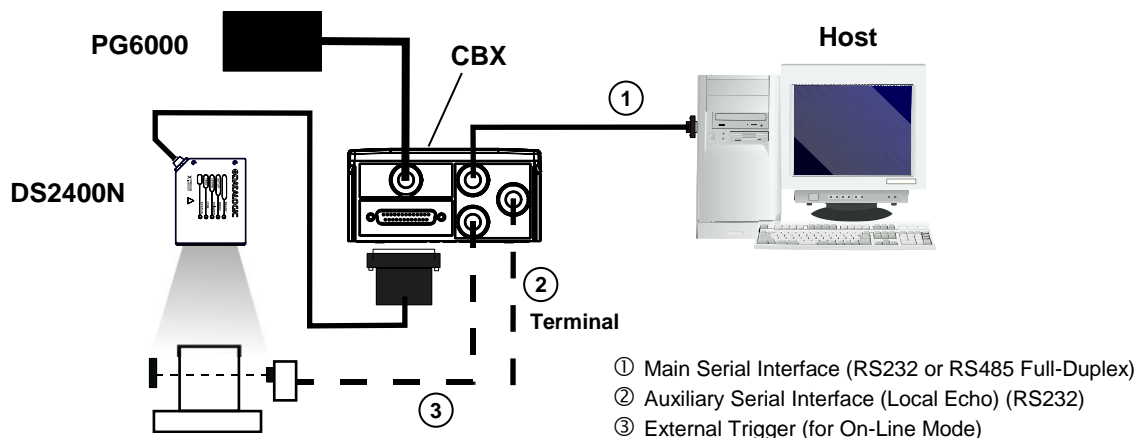


Figure 85 – Serial Interface Point-to-Point Layout

In this layout a single scanner functions as a Slave node on a Fieldbus network. The data is transmitted to the Host through an accessory Fieldbus interface board installed inside the CBX500 connection box.

Scanner configuration can be accomplished through the Auxiliary interface using the Genius™ configuration program or Genius™ based Host Mode programming.

In Local Echo communication mode, data is transmitted on the RS232 auxiliary interface independently from the Fieldbus interface selection.

When On-Line Operating mode is used, the scanner is activated by an External Trigger (photoelectric sensor) when the object enters its reading zone.

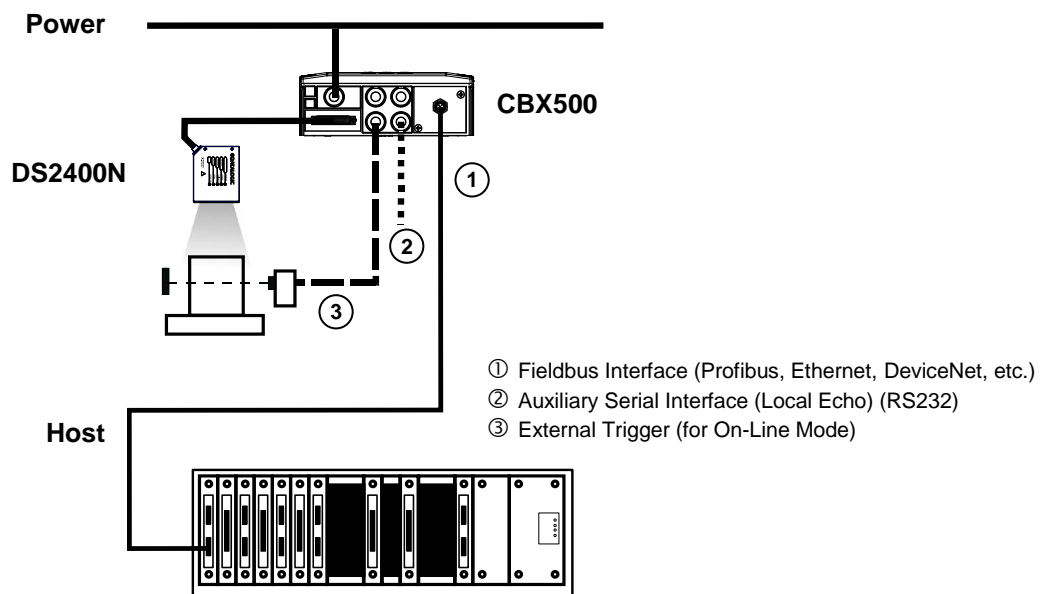


Figure 86 – Fieldbus Interface Point-to-Point Layout

6.2 PASS-THROUGH

Pass-through mode allows two or more devices to be connected to a single external serial interface.

Each DS2400N transmits the messages received by the Auxiliary interface onto the Main interface. All messages will be passed through this chain to the host.

When On-Line Operating mode is used, the scanner is activated by an External Trigger (photoelectric sensor) when the object enters its reading zone.

Applications can be implemented to connect a device such as a hand-held reader to the Auxiliary port of the last scanner in the chain for manual code reading capability.

The Main and Auxiliary ports are connected as shown in the figure below:

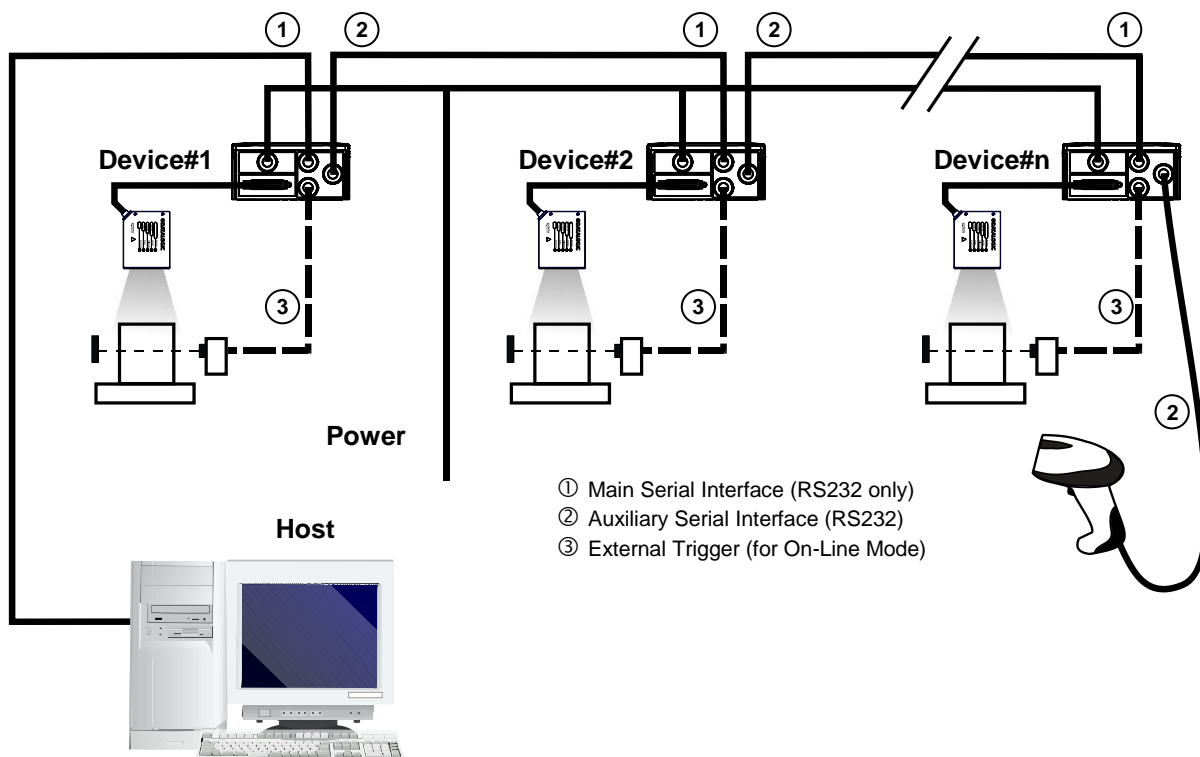


Figure 87 – Pass-Through Layout

An alternative Pass-Through layout allows the more efficient ID-NET™ network to be used. This layout is really an ID-NET Master/Slave Multidata layout which also allows **each** scanner (Master and Slaves) to accept input on the Auxiliary interface, for example to connect a device such as a hand-held reader for manual code reading capability.

Each DS2400N transmits its own messages plus any messages received by its Auxiliary interface onto the ID-NET™ interface. The Master passes all messages to the Host.

When On-Line Operating mode is used, the scanner is activated by an External Trigger (photoelectric sensor) when the object enters its reading zone.

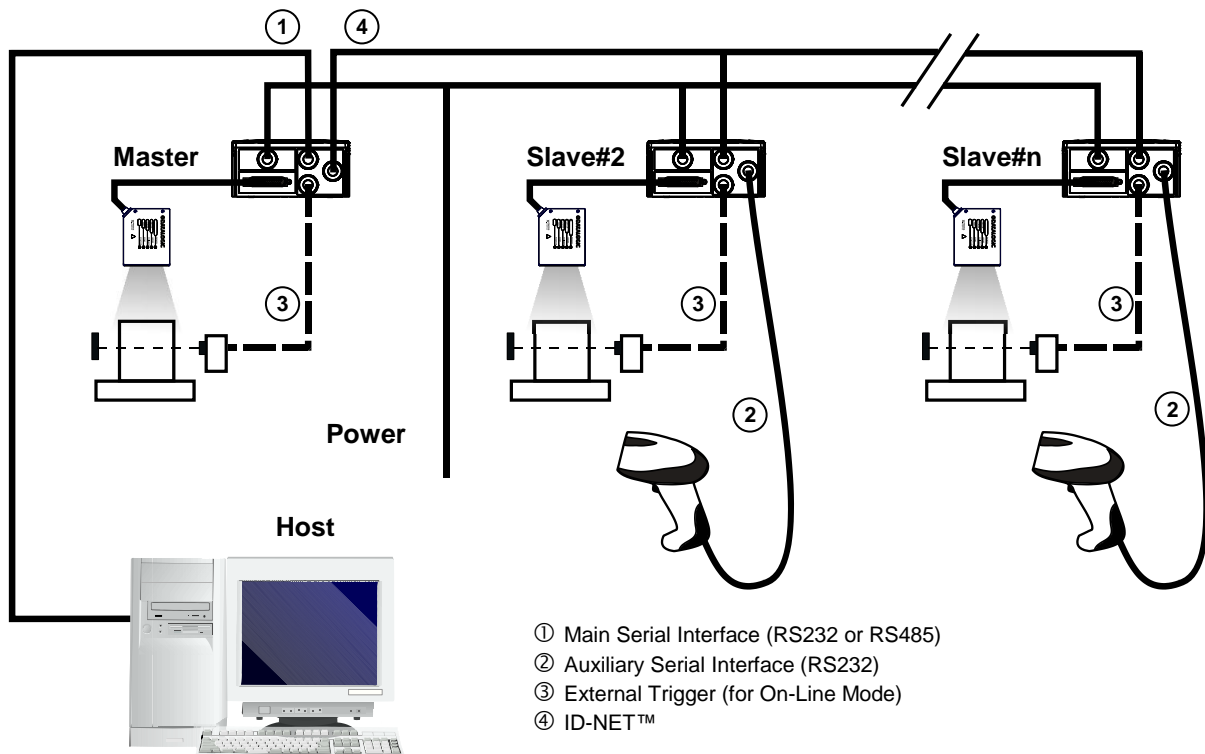


Figure 88 – Pass-Through On ID-NET™ Layout

6.3 ID-NET™

The ID-NET™ connection is used to collect data from several scanners to build a multi-point or a multi-sided reading system; there can be one master and up to 31 slaves connected together.

The slave scanners are connected together using the ID-NET™ interface. Every slave scanner must have a ID-NET™ address in the range 1-31.

The master scanner is also connected to the Host on the RS232/RS485 main serial interface.

For a Master/Slave Synchronized layout the External Trigger signal is unique to the system; there is a single reading phase and a single message from the master scanner to the Host computer. **It is not necessary to bring the External Trigger signal to all the scanners.**

The main, auxiliary, and ID-NET™ interfaces are connected as shown in the figure below.

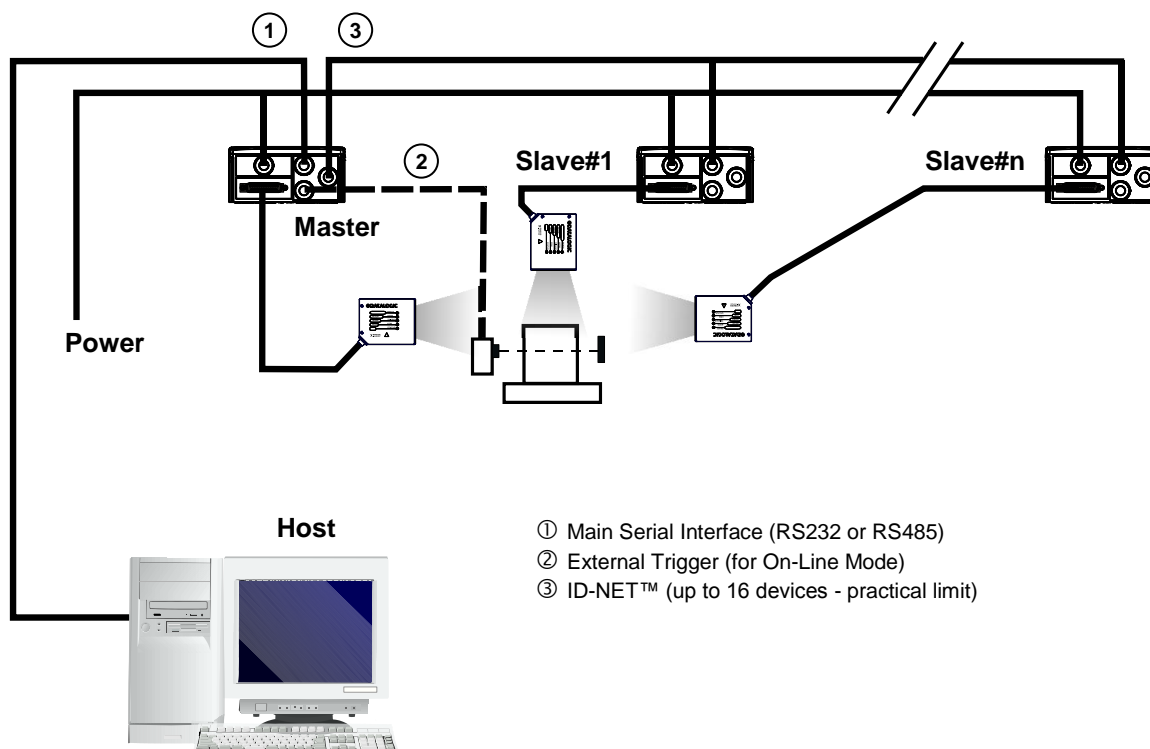


Figure 89 – ID-NET™ M/S Synchronized Layout

For a Master/Slave Multidata layout each scanner has its own reading phase independent from the others; each single message is sent from the master scanner to the Host computer.

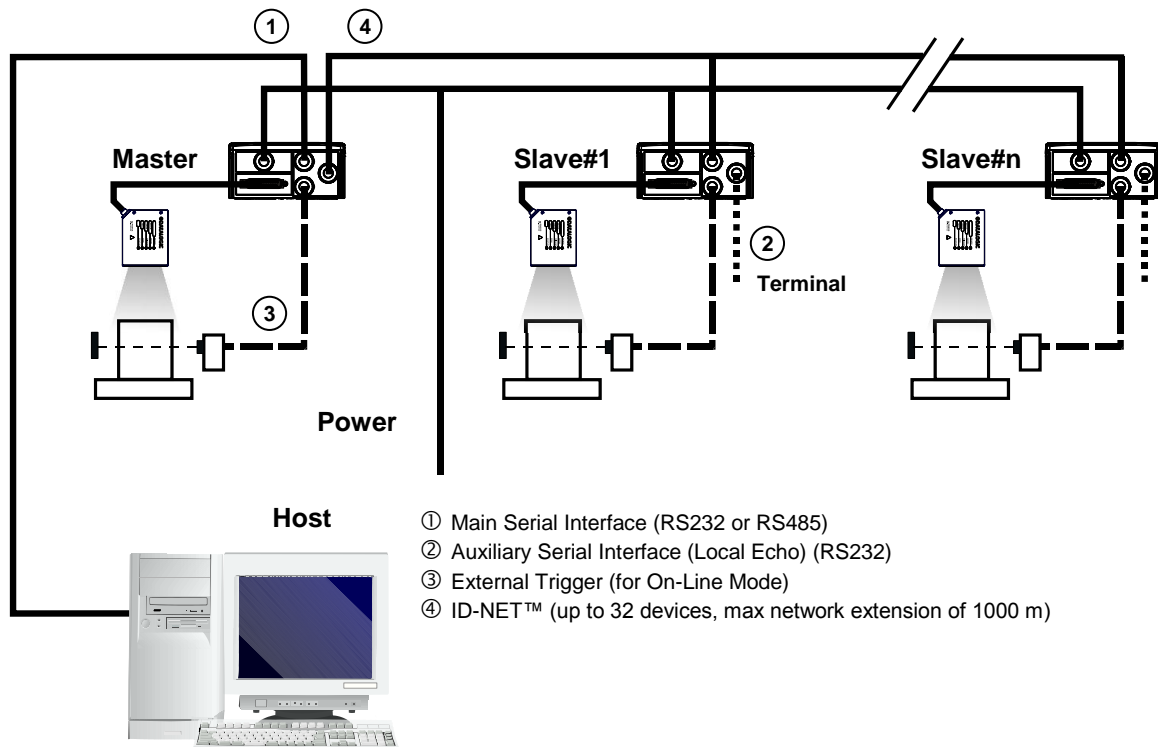


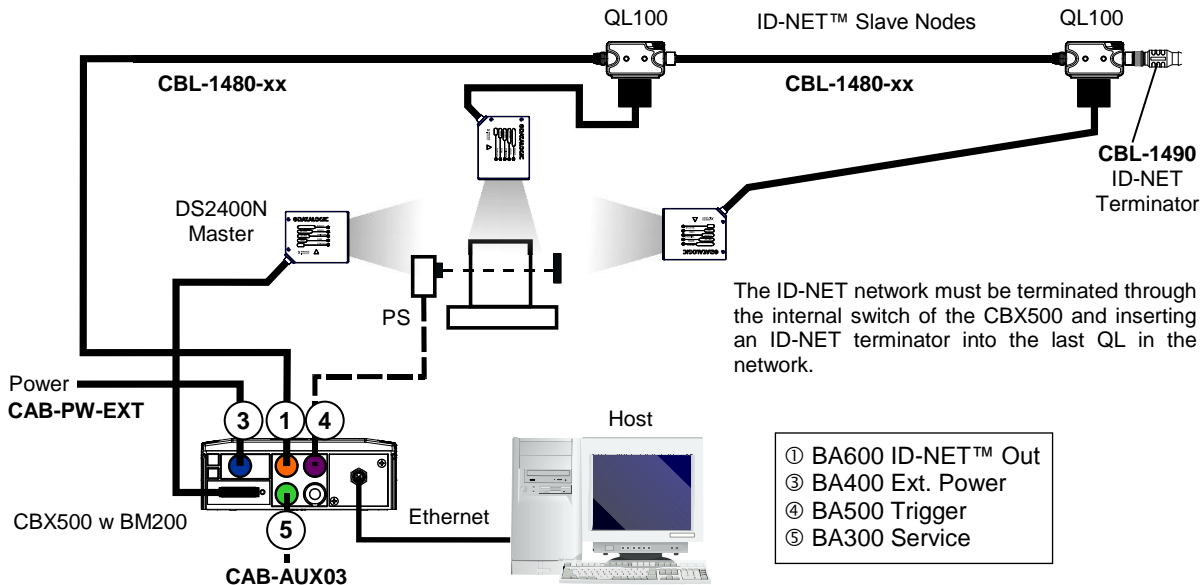
Figure 90 – ID-NET™ M/S Multidata



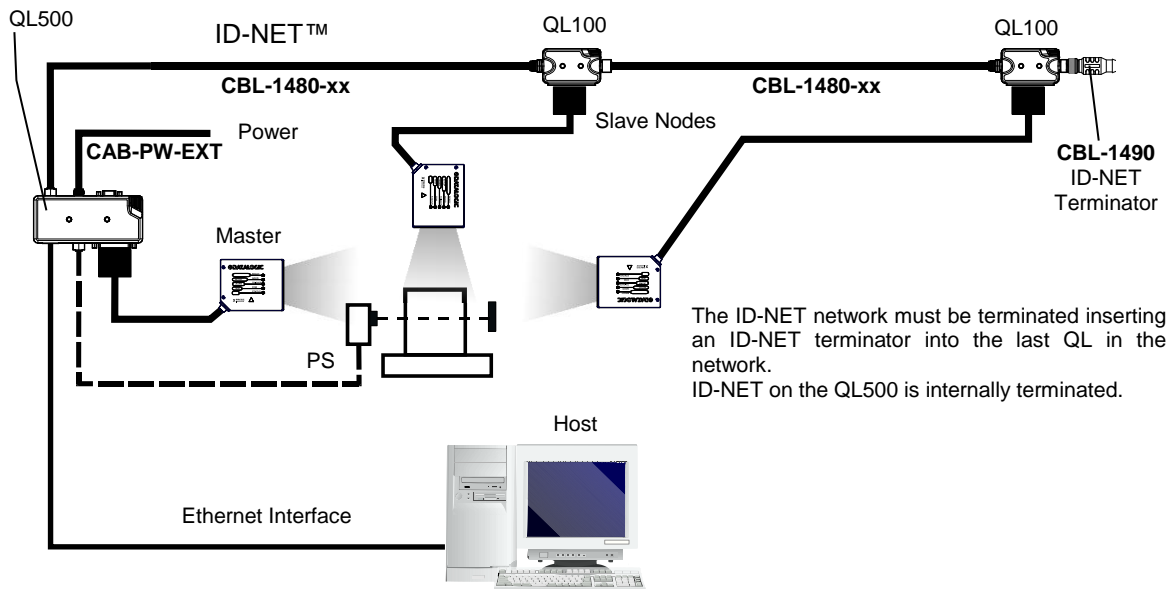
NOTE

The auxiliary serial interface of the slave scanners can be used in Local Echo communication mode to control any single scanner (visualize collected data) or to configure it using the Genius™ utility or the Genius™ based Host Mode programming procedure.

The ID-NET™ termination resistor switches must be set to ON only in the first and last CBX connection box.



**Figure 91 – ID-NET™ M/S Synchronized Layout
 DS2400N Master with CBX500 + DS2400N Slaves with QL100**

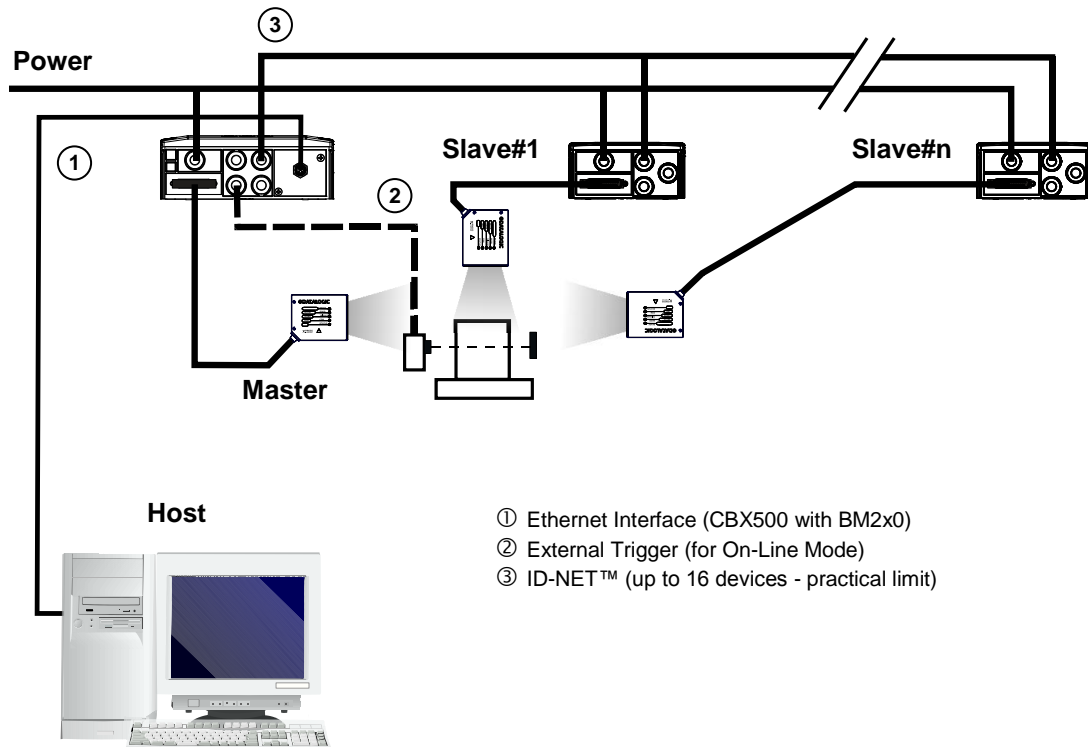


**Figure 92 – ID-NET™ M/S Synchronized Layout
 DS2400N Master with QL500 + DS2400N Slaves with QL100**

The Master scanner can communicate to the Host as a Slave node on an Ethernet TCP/IP network. This example requires using the accessory BM2x0 Ethernet interface board installed inside the CBX500 connection box.

System configuration can be accomplished through the Auxiliary interface of the Master scanner (internal CBX500 9-pin connector) using the Genius™ configuration program or Genius™ based Host Mode programming.

Configuration can also be accomplished in Genius directly through the Ethernet network. In this case initial connection can be made using Programming Barcodes.



**Figure 93 – ID-NET™ M/S Synchronized Layout
DS2400N Master with BM200/210 TCP/IP Ethernet Interface to Host**

Alternatively, the Master scanner can communicate to the Host as a Slave node on a Fieldbus network. This requires using an accessory Fieldbus interface board installed inside the CBX500 connection box.

System configuration can be accomplished through the Auxiliary interface of the Master scanner (internal CBX500 9-pin connector) using the Genius™ configuration program or Genius™ based Host Mode programming.

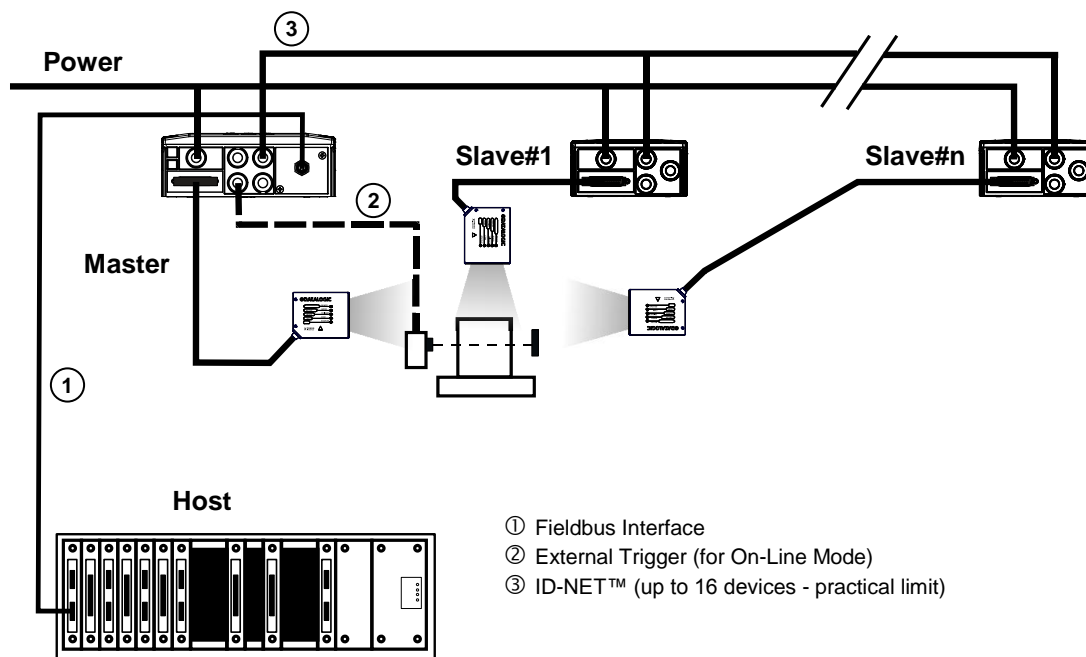


Figure 94 – ID-NET™ Fieldbus M/S Synchronized Layout

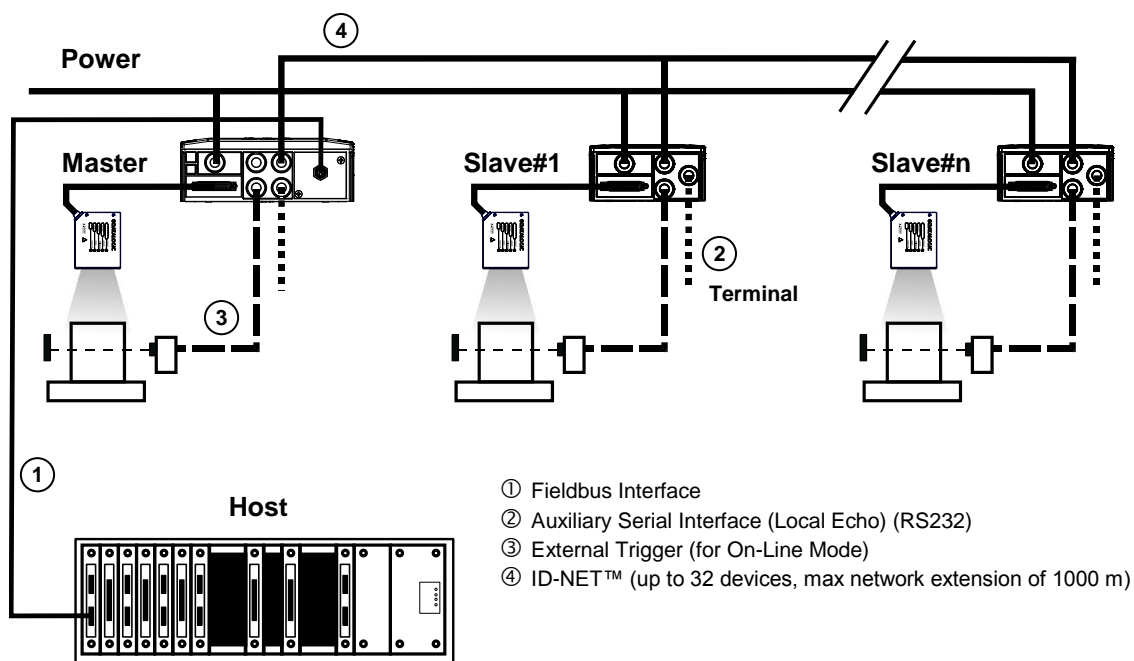


Figure 95 – ID-NET™ Fieldbus M/S Multidata

The QLM600 Profibus Gateway active connection module can also be used. System configuration can be accomplished through the Auxiliary interface of the Master scanner (QLM600 Aux connector) using the Genius™ configuration program or Genius™ based Host Mode programming.

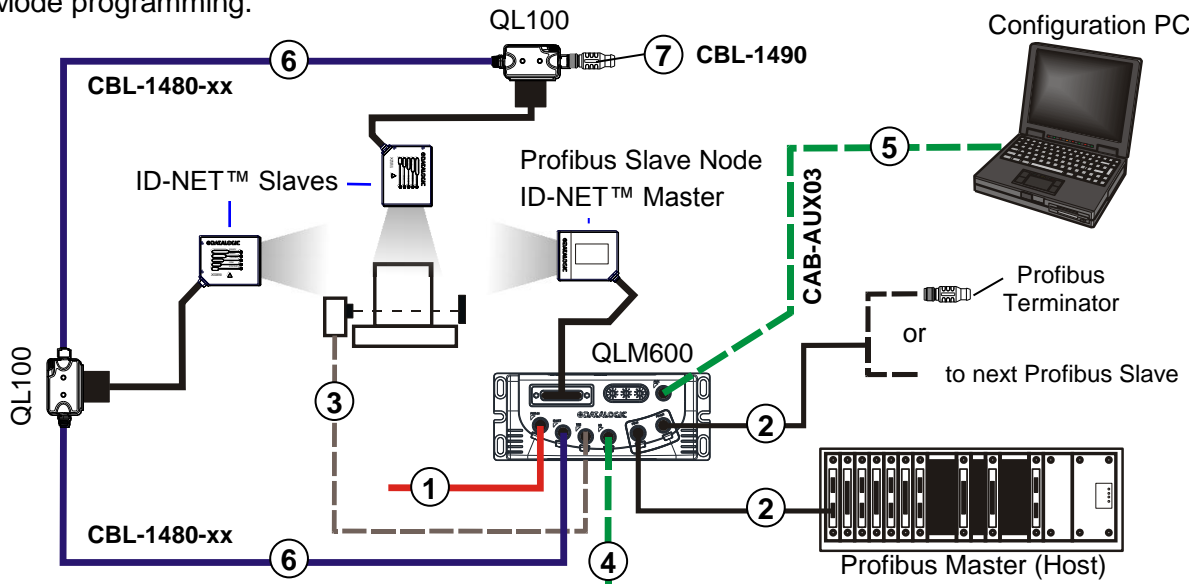


Figure 96 - ID-NET™ Synchronized Network - DS2100N Master with QLM600 + DS2100N Slaves with QL100s

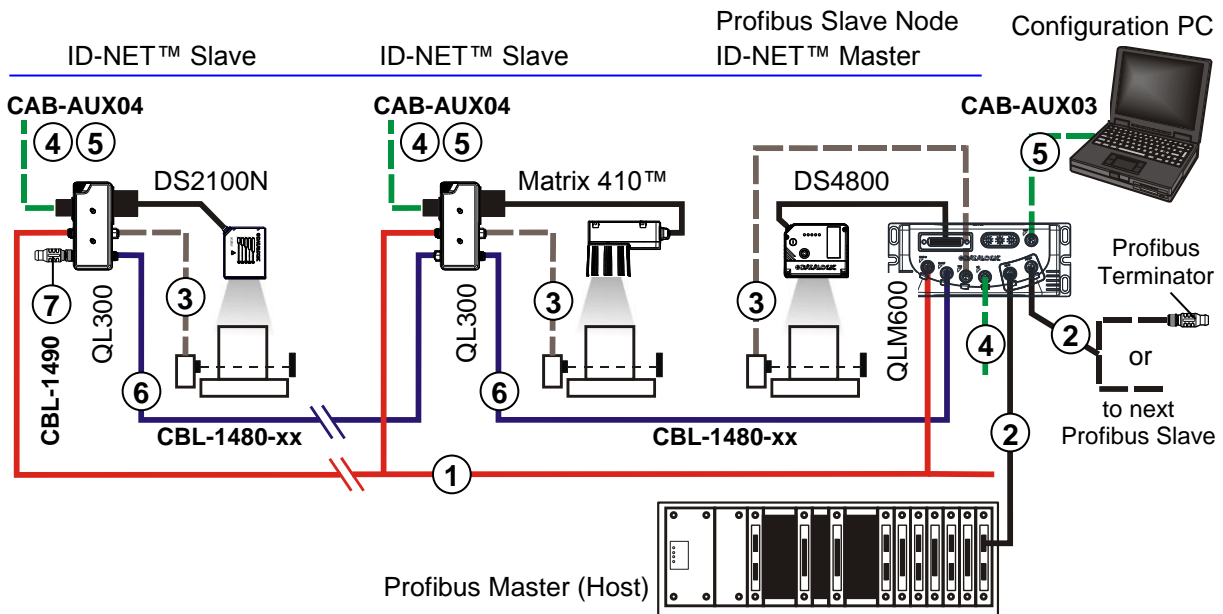


Figure 97 - ID-NET™ Multidata Network - DS4800 Master with QLM600 + mixed Slaves with QL300s

- ① Input Power
- ② Profibus Interface
- ③ External Trigger (for On-Line Mode)
- ④ External Digital I/O Devices
- ⑤ Aux port for Reader Configuration
- ⑥ ID-NET™ Network
- ⑦ ID-NET Terminator

NOTE The ID-NET network must be terminated inserting an ID-NET terminator into the last QL in the network. ID-NET on the QLM600 is internally terminated.

6.4 RS232 MASTER/SLAVE



NOTE

This interface is provided for backward compatibility. We recommend using the more efficient ID-NET™ network for Master/Slave or Multiplexer layouts.

The RS232 master/slave connection is used to collect data from several scanners to build either a multi-point or a multi-sided reading system; there can be one master and up to 9 slaves connected together.

The Slave scanners use RS232 only on the main and auxiliary serial interfaces. Each slave DS2400N transmits the messages received by the auxiliary interface onto the main interface. All messages will be passed through this chain to the Master.

The Master scanner is connected to the Host on the RS232/RS485 main serial interface.

There is a single reading phase and a single message from the master scanner to the Host computer.

Either On-Line or Serial On-Line Operating modes can be used in this layout.

When On-Line Operating mode is used, the external trigger signal is unique to the system, however it is not necessary to bring the external trigger signal to the Slave scanners.

The main and auxiliary ports are connected as shown in the figure below.

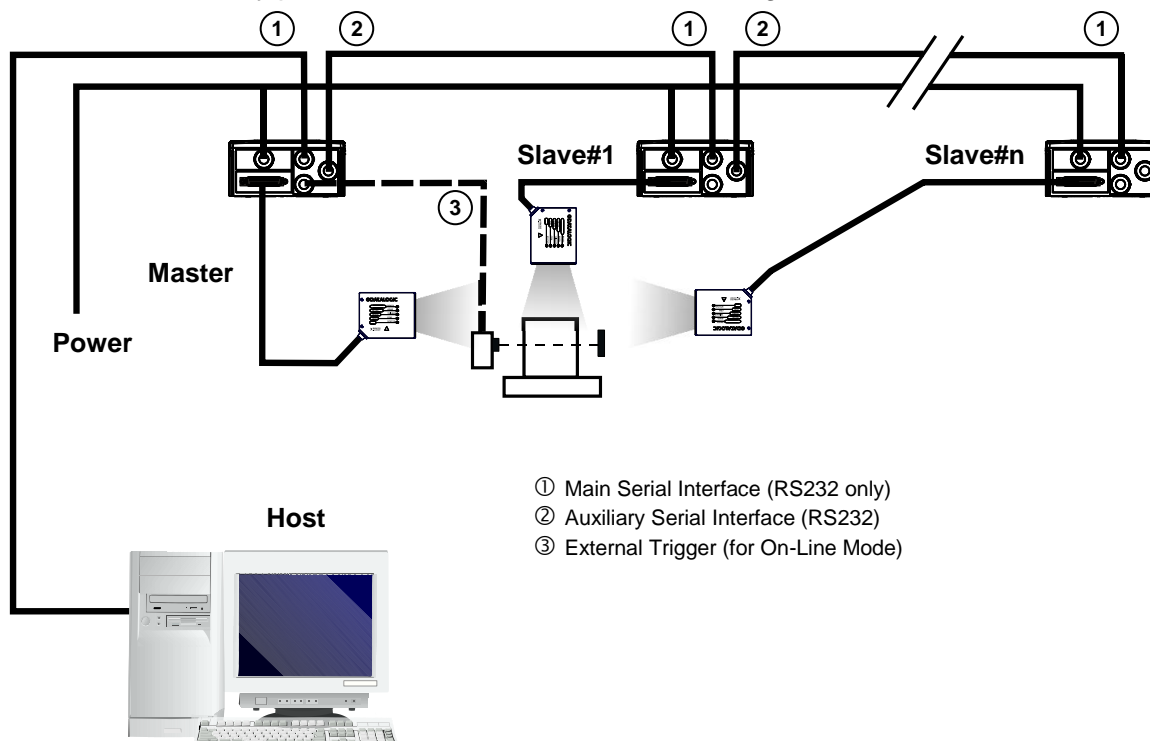


Figure 98 – RS232 Master/Slave Layout

6.5 MULTIPLEXER LAYOUT



NOTE

This interface is provided for backward compatibility. We recommend using the more efficient ID-NET™ network for Master/Slave or Multiplexer layouts.

Each scanner is connected to a Multiplexer (for example MX4000) with the RS485 half-duplex main interface through a CBX connection box.

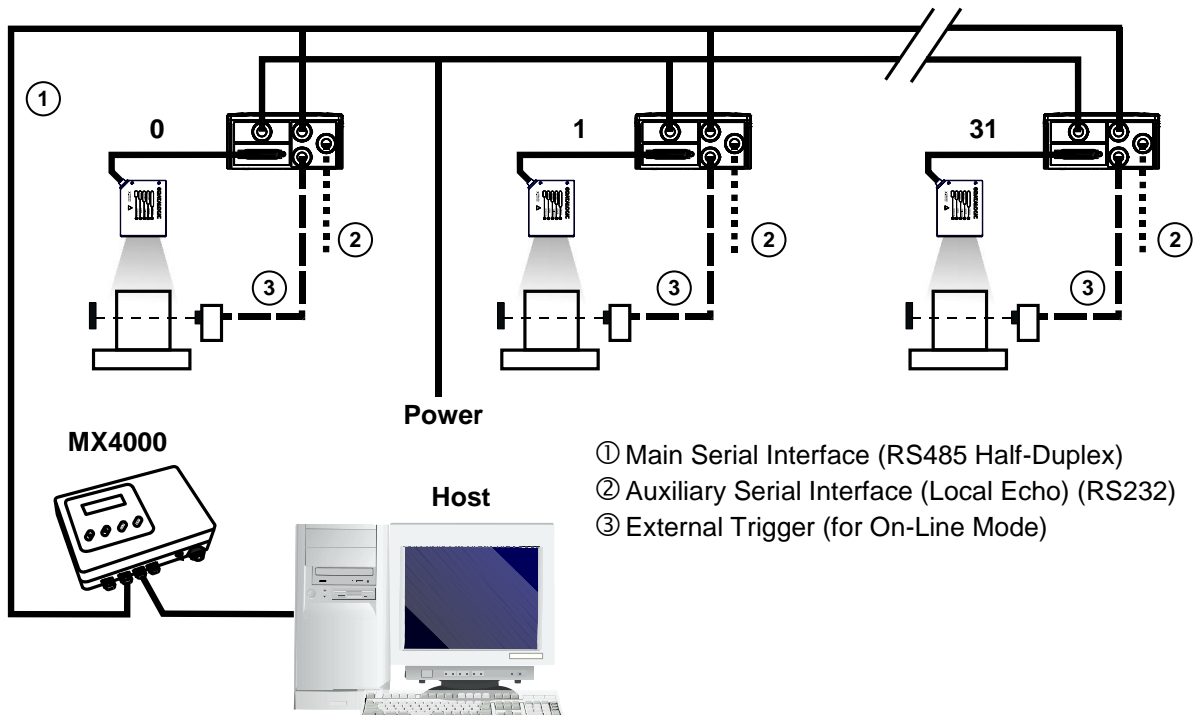


Figure 99 - Multiplexer Layout

The auxiliary serial interface of the slave scanners can be used in Local Echo communication mode to control any single scanner (visualize collected data) or to configure it using the Genius™ utility or Genius™ based Host Mode programming procedure.

Each scanner has its own reading phase independent from the others. When On-Line Operating mode is used, the scanner is activated by an External Trigger (photoelectric sensor) when the object enters its reading zone.

7 READING FEATURES

7.1 ADVANCED CODE RECONSTRUCTION (ACR-LITE)

The traditional way of barcode reading could be called “Linear Reading”. In this case, the laser beam crosses the barcode symbol from its beginning to its end as shown in the following figure:

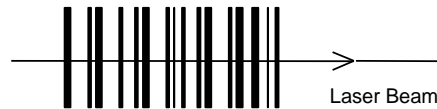


Figure 100 – Linear Reading

In Advanced Code Reconstruction mode it is no longer necessary for the laser beam to cross the label from the start to the end. With just a set of partial scans on the label (obtained using the motion of the label itself), the scanner is able to “reconstruct” the barcode. A typical set of partial scans is shown in the figure below:

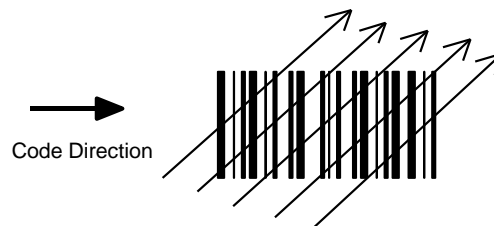


Figure 101 – Partial Scans

None of the partial scans contains the whole label. The decoder aligns each partial scan correctly and combines them in order to obtain the entire code.

The alignment is performed by calculating the time difference from one partial scan to another using a reference code element.

ACR-Lite therefore has an intrinsic ability to increase the reading percentage of damaged codes as in the examples below:



Figure 102 – ACR-Lite Readable Codes

ACR-Lite is disabled by default but can be enabled for the following code types:

- Code 25 Interleaved
- Code 39 Family
- Codabar
- GS1 DataBar
- Code 128/GS1-128
- EAN/UPC (without ADD-Ons)
- Code 93
- GS1 DataBar Expanded

7.1.1 Important ACR-Lite Reading Conditions

- **Do not use ACR-Lite for omni-directional reading stations.**
- Code concatenation and ACR-Lite are not compatible and therefore cannot be enabled simultaneously.
- Stacked codes and ACR-Lite are not compatible.
- Codes shorter than 4 digits, while readable linearly, cannot be reconstructed in ACR-Lite.
- Reconstruction reading mode is not compatible with scanner Raster models.



NOTE

To maximize scanner performance in Advanced Code Reconstruction Reading applications:

- *enable only the code symbologies that will actually be used in the application and disable any code symbologies that will not be used in the application*
- *reconstruct only one code label at a time*
- *use conveyor speeds less than or equal to 1.0 m/s*

7.1.2 Tilt Angle for Advanced Code Reconstruction

The most important parameter in Advanced Code Reconstruction is the value of the maximum tilt angle (α maximum) under which the code reconstruction process is still possible.

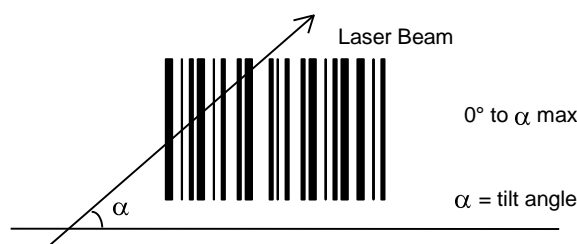


Figure 103 – Tilt Angle

The decoder will be able to read the label with a tilt angle between $+\alpha$ max and $-\alpha$ max as shown in the following figure:

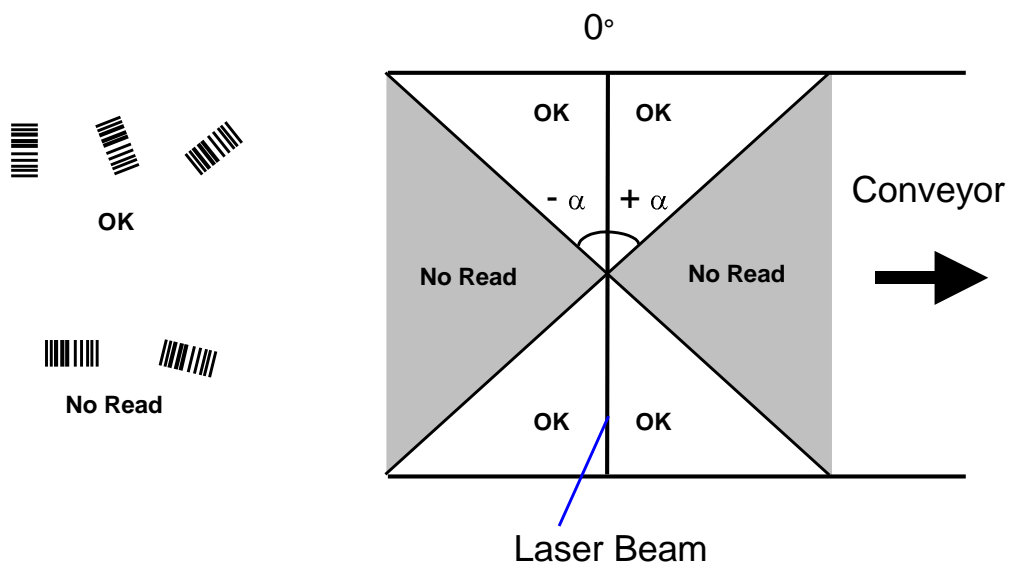


Figure 104 – Reading Zones with α Max



NOTE

While tilt angles of 45° can be obtained, DS2400N scanners are not designed to create omni-directional reading stations using two scanners in an X-pattern.

7.1.3 Advanced Code Reconstruction Reading Conditions

The following tables describe the minimum code height requirements (in mm) for standard ACR-Lite applications depending on the code symbology and the given reading conditions.

- ANSI Grade B minimum
- 800 scans/sec
- three code symbologies enabled simultaneously
- uniform background

| 2/5 Interleaved | | Minimum Code Height for ACR-Lite Reading (mm) | | | | | |
|----------------------|------|---|-----|----|---------|-----|----|
| | | 45° max | | | 30° max | | |
| Conveyor Speed (m/s) | | 0.5 | .75 | 1 | 0.5 | .75 | 1 |
| Code Resolution (mm) | 0.20 | 17 | 20 | 23 | 12 | 14 | 16 |
| | 0.35 | 28 | 30 | 32 | 18 | 20 | 22 |
| | 0.50 | 34 | 36 | 38 | 23 | 25 | 27 |

Ratio 2.5:1

Table 1

| Code 39 | | Minimum Code Height for ACR-Lite Reading (mm) | | | | | |
|----------------------|------|---|-----|----|---------|-----|----|
| | | 45° max | | | 30° max | | |
| Conveyor Speed (m/s) | | 0.5 | .75 | 1 | 0.5 | .75 | 1 |
| Code Resolution (mm) | 0.20 | 16 | 19 | 22 | 12 | 14 | 16 |
| | 0.35 | 26 | 28 | 30 | 17 | 19 | 21 |
| | 0.50 | 31 | 33 | 35 | 21 | 23 | 25 |

Ratio 2.5:1; Interdigit = Module Size

Table 2

| Code 128 – GS1-128 | | Minimum Code Height for ACR-Lite Reading (mm) | | | | | |
|----------------------|------|---|-----|----|---------|-----|----|
| | | 45° max | | | 30° max | | |
| Conveyor Speed (m/s) | | 0.5 | .75 | 1 | 0.5 | .75 | 1 |
| Code Resolution (mm) | 0.20 | 12 | 15 | 18 | 9 | 11 | 14 |
| | 0.35 | 22 | 25 | 28 | 13 | 16 | 19 |
| | 0.50 | 25 | 27 | 30 | 17 | 20 | 23 |

Table 3

7.2 LINEAR CODE READING

The number of scans performed on the code by the DS2400N and therefore the decoding capability is influenced by the following parameters:

- number of scans per second
- code motion speed
- label dimensions
- scan direction with respect to code motion

At least 5 scans during the code passage should be allowed to ensure a successful read.

7.2.1 Step-Ladder Mode

If scanning is perpendicular to the code motion direction (Figure 105), the number of effective scans performed by the reader is given by the following formula:

$$SN = [(LH/LS) * SS] - 2$$

Where: SN = number of effective scans
 LH = label height (in mm)
 LS = label movement speed in (mm/s)
 SS = number of scans per second

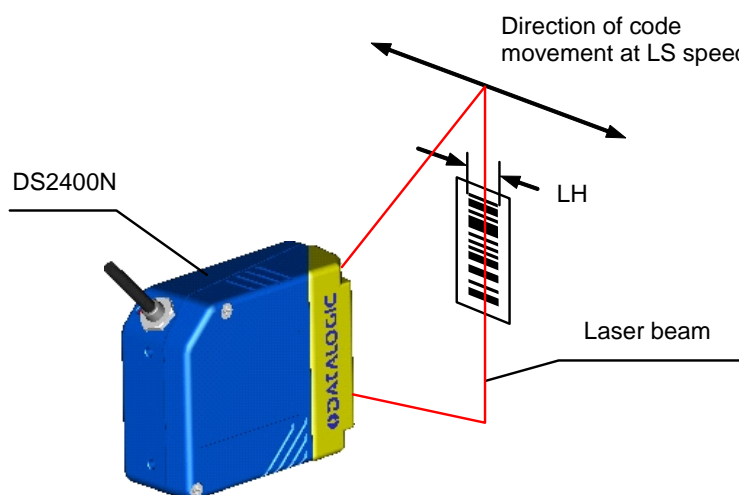


Figure 105 - "Step-Ladder" Scanning Mode

For example, the DS2400N (800 scans/sec.) for a 25 mm high code moving at 1250 mm/s performs:

$$[(25/1250) * 800] - 2 = 14 \text{ effective scans.}$$

7.2.2 Picket-Fence Mode

If scanning is parallel to the code motion, (Figure 106), the number of effective scans is given by the following formula:

$$SN = \left[\frac{(FW-LW)}{LS} * SS \right] - 2$$

Where:

- SN = number of effective scans
- FW = reading field width (in mm)
- LW = label width (in mm)
- LS = label movement speed (in mm/s)
- SS = scans per second

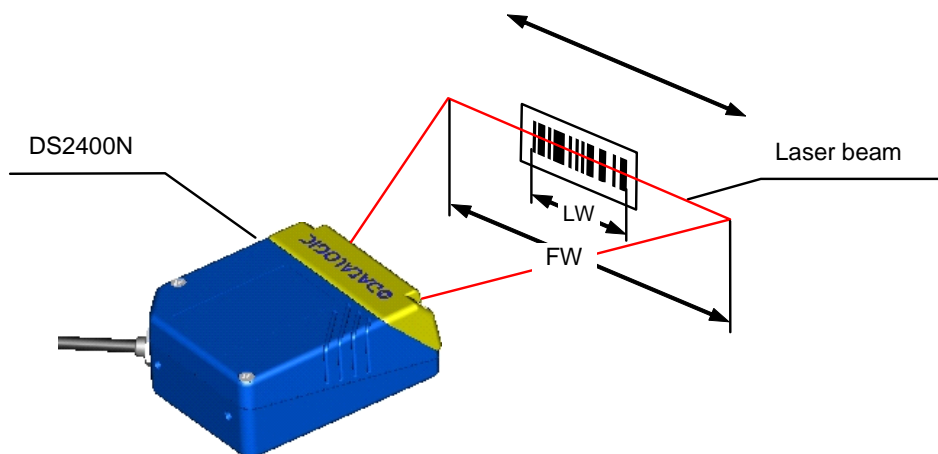


Figure 106 - "Picket-Fence" Scanning Mode

For example, for a 100 mm wide code moving in a point where the reading field is 200 mm wide at a 2000 mm/s speed, the DS2400N (800 scans per sec.), performs:

$$\left[\frac{(200-100)}{2000} * 800 \right] - 2 = 38 \text{ effective scans}$$

7.3 PERFORMANCE

The DS2400N scanner is available in different versions according to the reading performance.

| Version | Max Code Resolution | Speed |
|---------|---------------------|-------------|
| | mm (mils) | scans/s |
| 02XX | 0.20 (8) | 600 to 1000 |
| 12XX | 0.25 (10) | 600 to 1000 |
| 22XX | 0.35 (14) | 600 to 1000 |

| Version | Reading Distance |
|---------|---|
| 02XX | 75 mm (3 in) - 340 mm (13.4 in) on 0.35 mm (14 mils) codes |
| 12XX | 100 mm (3.9 in) - 440 mm (17.3 in) on 0.50 mm (20 mils) codes |
| 22XX | 190 mm (7.5 in) - 600 mm (23.6 in) on 0.50 mm (20 mils) codes |

Refer to the diagrams given in par. 7.4 for further details on the reading features. They are taken on various resolution sample codes at a 25 °C ambient temperature, depending on the conditions in the notes under the diagrams.

7.3.1 Raster

Raster versions are available. The distance between the top and bottom scan lines is called capture and is measured from the laser beam output window.

The reading characteristics for the raster versions are given in the table below.

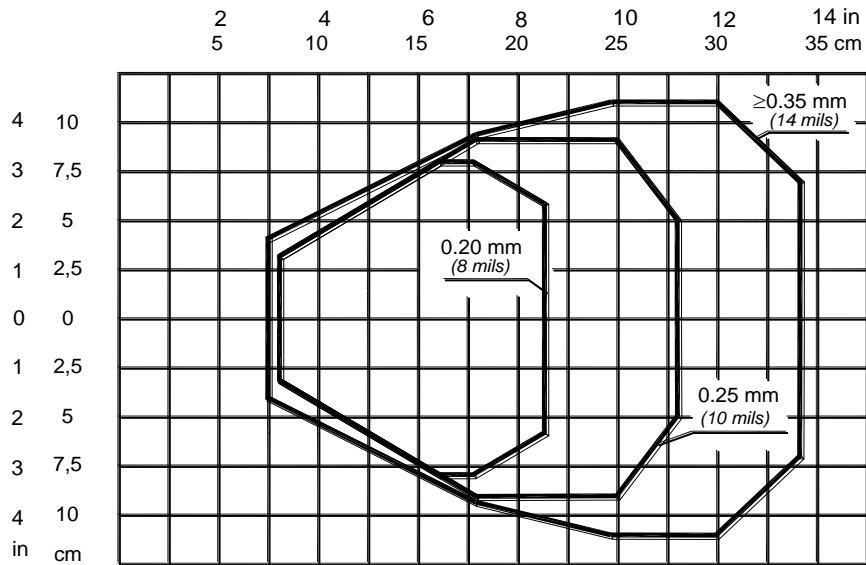
| Reading Distance | | |
|------------------|---------------------|---------------------|
| | 300 mm (11.8 in) | 600 mm (23.6 in) |
| Raster Capture | 18 mm (0.7 in) | 35 mm (1.4 in) |

If standard devices do not satisfy specific requirements, contact your nearest Datalogic distributor, supplying code samples, to obtain complete information on the reading possibilities.

7.4 READING DIAGRAMMS

Reading diagrams for Subzero models and Standard models are the same.

DS2400N-020X (Short Reading Range)

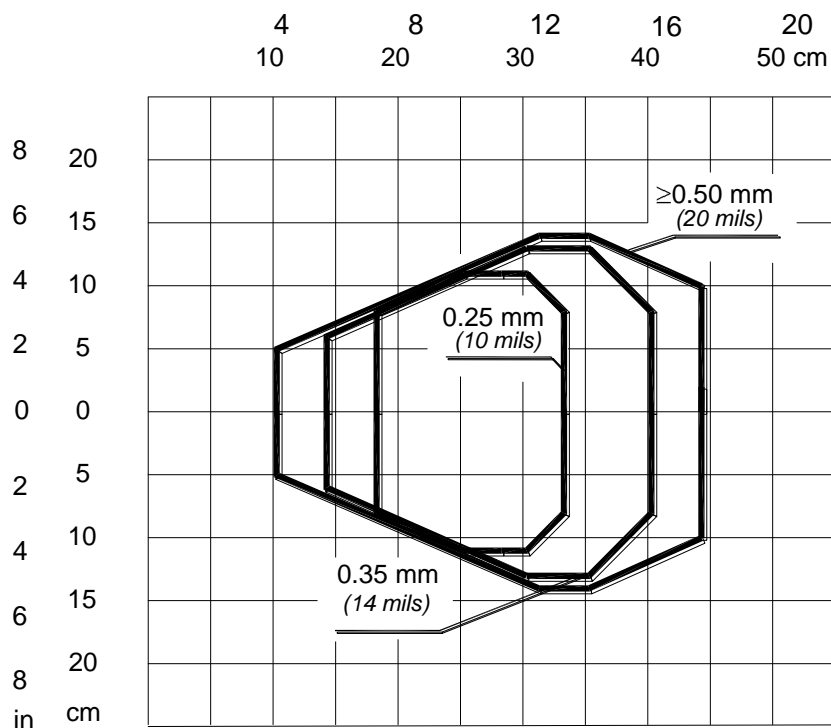


Note: (0,0) is the center of the laser beam output window.

CONDITIONS

- Optic Version = Linear
- Code = Interleaved 2/5 or Code 39
- PCS = 0.90
- "Pitch" angle = 0°
- "Skew" angle = 10°
- "Tilt" angle = 0°
- *Code Resolution = High
- *Reading Conditions = Standard
- *Scan Speed = 800 scans/sec

* Parameters selectable in Genius™.

DS2400N-120X (Medium Reading Range)

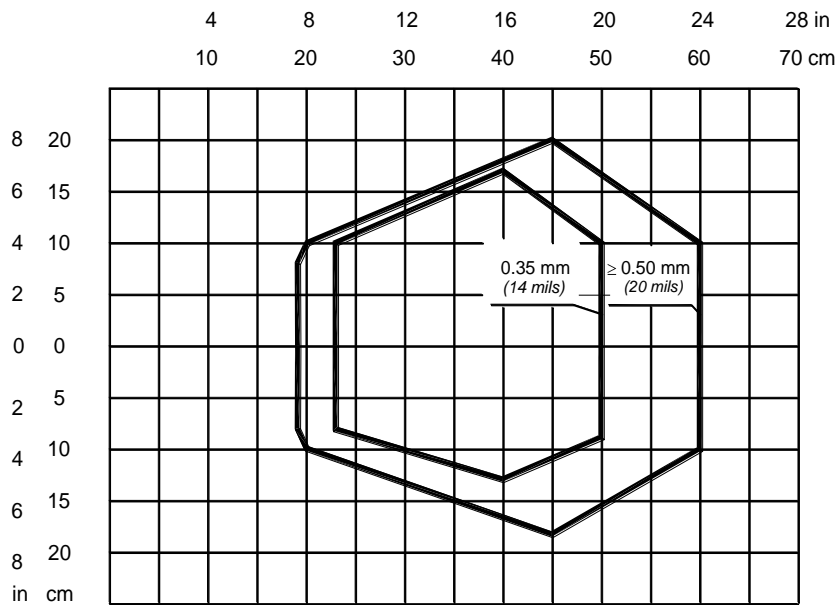
Note: (0,0) is the center of the laser beam output window.

CONDITIONS

| | | |
|---------------------|---|---|
| Optic Version | = | Linear |
| Code | = | Interleaved 2/5 or Code 39 |
| PCS | = | 0.90 |
| "Pitch" angle | = | 0° |
| "Skew" angle | = | 10° |
| "Tilt" angle | = | 0° |
| *Code Resolution | = | High for 0.25 mm (10 mils) codes Standard for 0.35 mm, (14 mils) codes and greater |
| *Reading Conditions | = | Standard |
| *Scan Speed | = | 800 scans/sec |

* Parameters selectable in Genius™.

DS2400N-220X (Long Reading Range)



Note: (0,0) is the center of the laser beam output window.

CONDITIONS

- Optic Version = Linear
- Code = Interleaved 2/5 or Code 39
- PCS = 0.90
- "Pitch" angle = 0°
- "Skew" angle = 10°
- "Tilt" angle = 0°
- *Code Resolution = High for 0.35 mm (14 mils) codes
= Standard for 0.50 mm (20 mils) codes and greater
- *Reading Conditions = Standard
- *Scan Speed = 800 scans/sec

* Parameter selectable in Genius™

8 MAINTENANCE

8.1 CLEANING

Clean the laser beam output window periodically for continued correct operation of the reader.

Dust, dirt, etc. on the window may alter the reading performance.

Repeat the operation frequently in particularly dirty environments.

Use soft material and alcohol to clean the window and avoid any abrasive substances.

**WARNING**

Clean the window of the DS2400N when the scanner is turned off or, at least, when the laser beam is deactivated.

9 TROUBLESHOOTING

9.1 GENERAL GUIDELINES

When wiring the device, pay careful attention to the signal name (acronym) on the CBX100/500 spring clamp connectors (chp. 4). If you are connecting directly to the scanner 25-pin connector pay attention to the pin number of the signals (chp 5).

If you need information about a certain reader parameter you can refer to the Genius™ program help files.

Either connect the device and select the parameter you're interested in by pressing the F1 key, or select **Help/Parameters Help/2K_4K Software Configuration Parameters Guide** from the command menu.

If you're unable to fix the problem and you're going to contact your local Datalogic office or Datalogic Partner or ARC, we suggest providing (if possible) the Device Configuration files (*.ddc). Connect through Genius™ and click the Save icon from the toolbar. Also note the exact Model, Serial Number and Order Number of the device.

| TROUBLESHOOTING GUIDE | |
|--|--|
| Problem | Suggestions |
| Power On: the "Power On"/ "Ready" LED are not lit | Is power connected? If using a power adapter (like PG 6000), is it connected to a wall outlet? If using rail power, does rail have power? If using CBX100, does it have power (check switch and LED)? Measure voltage either at pin 13 and pin 25 (for 25-pin connector) or at spring clamp Vdc and GND (for CBX). |
| Power On: the "Ready" LED is continuously blinking; motor and laser are OFF | For Subzero models this indicates the warm-up phase. If this phase exceeds the expected warm-up time, a diagnostic error condition will be generated, see indication below. Check the input voltage; if less than 24 Vdc the scanner may not attain warm-up. |
| Diagnostic Error: the "Ready" LED and "Status" LED are continuously blinking and the "Good" Read LED is ON | This indicates a diagnostic alarm/error condition. A User Defined Error message or an Internal Numeric Error message is sent over the selected communication interface. See the Help On Line for diagnostic error conditions. |
| On line Mode: TRIGGER LED is not lit (when external trigger activates) | Is sensor connected to I1A, I1B spring clamps (for CBX) or to pins 18 and 19 (for 25-pin connector)? Is power supplied to photo sensor? Are the photo sensor LEDS (if any) working correctly? Is the sensor/reflector system aligned? |
| On line Mode: TRIGGER LED is correctly lit but nothing happens (no reading results) | Is the software configuration consistent with the application condition (operating mode etc.)? In the Genius™ program select the Operating Mode branch and check for related parameters. |
| Serial On line Mode: the reader is not triggered (no reading results) | In the Genius™ program select the Operating Mode branch and check if Serial On Line is selected in the On Line Options. Are the Start – Stop characters correctly assigned? Is the serial trigger source correctly connected and configured? |
| On line Mode and Serial On Line: Reader doesn't respond correctly to the expected external signals end | In the Genius™ program select the Operating Mode branch and check the Reading Phase Timeout parameterization. |
| X-PRESS™: X-PRESS™ functions don't work. LEDs light up but do not allow access to the functions. | The X-PRESS™ functions don't work if the scanner motor or laser are turned off. Check if the motor or laser are turned off through the following parameters: <ul style="list-style-type: none"> • Beam Shutter = enabled • Scan Speed = Motor Off • Energy Saving>Serial Motor Off has been sent |

| TROUBLESHOOTING GUIDE | |
|--|--|
| Problem | Suggestions |
| <p>Reading: Not possible to read the target barcode (always returns No Read) or the Auto Setup procedure Fails.</p> | <p>Check synchronization of reading pulse with object to read: Is the scan line correctly positioned? Place barcode in the center of scan line and run Test mode (selectable by Genius™ as an Operating Mode). If you still have trouble, check the following:</p> <ul style="list-style-type: none"> • Is the reading distance within that allowed (see reading diagrams)? • Is the Tilt angle too large? • Is the Skew angle less than 10° (direct reflection)? • Choose the Code Definition branch and enable different Code Symbologies (except Pharmacode). Length = Min and Max (variable). • Is the Bar Code quality sufficient? <p>If you had no success, try to perform the test using the BARCODE TEST CHART included with the product.</p> |
| <p>Communication: Device is not transmitting anything to the host</p> | <ul style="list-style-type: none"> • Is the serial cable connected? • Is the correct wiring respected? • Are serial host settings equivalent to the serial device setting? • If using CBX, be sure the RS485 termination switch is positioned to OFF. |
| <p>Communication: Data transferred to the host are incorrect, corrupted or incomplete</p> | <ul style="list-style-type: none"> • In the Genius™ program select the Data Communication Settings/Data Format/Standard Parameters branch and check the Header, Separators, and Terminator values • Also check the Code Field Length and Fill Character values. • Are the COM port parameters correctly assigned? |
| <p>Communication: Always returns the Reader Failure Character (<BEL> char as default)</p> | <ul style="list-style-type: none"> • Contact your local Datalogic office or Datalogic Partner or ARC, because either a Motor or Laser failure has occurred. • Note the exact model and Serial Number of the device. |
| <p>How do I obtain my units' serial numbers?</p> | <ul style="list-style-type: none"> • The device's serial number is printed on a label that is affixed to the body of the reader. • Serial numbers consist of 9 characters: one letter, 2 numbers, and another letter followed by 5 numbers. |

10 TECHNICAL FEATURES

| ELECTRICAL FEATURES | DS2400N-xxx0 (Standard) | DS2400N-xxx5 (Subzero) |
|--|---|-------------------------------|
| Input Power | | |
| Supply Voltage | 10 to 30 Vdc | 24 Vdc \pm 10% |
| Power consumption max. | 0.5 to 0.17 A; 5 W | 0.4 A; 9.6 W max |
| Serial Interfaces | Sw programmable: RS232; RS485 FD and HD | |
| Main Serial Interface Baudrate | 1200 - 115200 | |
| Auxiliary Baudrate | RS232 1200 - 115200 | |
| ID-NET™ Baudrate | RS485 Half-duplex Up to 1 MBaud | |
| Inputs | Optocoupled, polarity insensitive | |
| Input 1 (External Trigger), Input 2 Voltage | 10 to 30 Vdc | |
| Current Consumption | 12 mA max. | |
| Minimum Pulse Duration | 5 ms. | |
| Outputs | Optocoupled | |
| Output 1, Output 2 V _{CE} | 30 Vdc max. | |
| Collector Current | 40 mA continuous max.; 130 mA pulsed max. | |
| V _{CE} saturation | 1V max. at 10 mA | |
| Power Dissipation | 80 mW max. at 45 °C (ambient temperature) | |
| OPTICAL FEATURES | | |
| Light Source | Semiconductor laser diode | |
| Wave Length | In the range 630 to 680 nm | |
| Safety Class | Class 2 - EN 60825-1; CDRH | |
| READING FEATURES ① | | |
| Scan Rate (software program.) | (600 to 1000 scans/sec) | |
| Aperture Angle | 50° | |
| Maximum Reading Distance | See reading diagrams | |
| Maximum Resolution | See reading diagrams | |

① Further details given in par. 7.3.

| ENVIRONMENTAL FEATURES | DS2400N-xxx0 (Standard) | DS2400N-xxx5 (Subzero) |
|--|--|------------------------------------|
| Operating Temperature | 0° to +45 °C (+32° to +113 °F) ② | -35° to +45 °C (-31° to +113 °F) ③ |
| Storage Temperature | -20° to +70 °C (-4° to +158 °F) | -35° to +70 °C (-31° to +158 °F) |
| Humidity max. | 90% non condensing | |
| Vibration Resistance EN 60068-2-6 | 14 mm @ 2 to 10 Hz; 1.5 mm @ 13 to 55 Hz; 2 g @ 70 to 200 Hz; 2 hours on each axis | |
| Bump Resistance EN 60068-2-29 | 30g; 6 ms; 5000 shocks on each axis | |
| Shock Resistance EN 60068-2-27 | 30g; 11 ms; 3 shocks on each axis | |
| Protection Class – EN 60529 | IP65 | |
| PHYSICAL FEATURES | | |
| Mechanical Dimensions | 68 x 84 x 34 mm (2.7 x 3.3 x 1.3 in) | |
| Weight | 330 g (11.6 oz.) | 340 g (12 oz.) |
| SOFTWARE FEATURES | | |
| READABLE CODES | | |
| *EAN/UPC (including Add-on 2 and Add-on 5) | *Code 93 | |
| *2/5 Interleaved | *Code 128 | |
| *Code 39 (Standard and Full ASCII) | *GS1-128 (ex EAN 128) | |
| *Codabar | ISBT 128 | |
| ABC Codabar | Pharmacode | |
| *GS1 DataBar | Plessey | |
| *GS1 DataBar Expanded | GS1 DataBar Limited | |
| | * ACR-Lite Readable. | |
| Code Selection | up to ten different symbologies during one reading phase | |
| Decoding Safety | can enable multiple good reads of same code | |
| Headers and Terminators | Up to 128-byte header string Up to 128-byte terminator string | |
| Operating Modes | On-Line, Serial On-Line, Verifier, Automatic, Continuous, Test | |
| Configuration Modes | X-PRESS™ Functions Genius™ utility program Genius™ based Host Mode Programming | |
| Special Functions | Code Verifier ACR-Lite (Advanced Code Reconstruction) Motor Off and SW_Speed Control Programmable Diagnostic and Statistic Messages | |
| Parameter Storage | Non-volatile internal Flash | |
| USER INTERFACE | | |
| LED Indicators | Ready, Good, Trigger, Com, Status, Power On | |
| Multi-function Key | X-PRESS™ button | |

② If the reader is used in high temperature environments (over 40 °C), use of the Beam Shutter is advised (see the Genius™ configuration program) and/or a thermally conductive support (such as the metal bracket provided).

③ The Operating Temperature is guaranteed under the following conditions:

- no direct ventilation on the scanner
- fixed working environment (no rapid temperature changes)

At -35 °C, a 20 min warm-up period is required before the scanner is ready to read barcodes.

GLOSSARY

ACR-Lite (Advanced Code Reconstruction)

This is a light version of the powerful Advanced Code Reconstruction technology applied to high performance high precision scanners. ACR-Lite is effective in reading codes positioned close-to-linear, small height codes, damaged codes, or poor print quality codes. See par. 7.1.

Aperture

Term used on the required CDRH warning labels to describe the laser exit window.

Barcode

A pattern of variable-width bars and spaces which represents numeric or alphanumeric data in machine-readable form. The general format of a barcode symbol consists of a leading margin, start character, data or message character, check character (if any), stop character, and trailing margin. Within this framework, each recognizable symbology uses its own unique format.

Barcode Label

A label that carries a barcode and can be affixed to an article.

Baud Rate

A unit used to measure communications speed or data transfer rate.

CDRH (Center for Devices and Radiological Health)

This organization (a service of the Food and Drug Administration) is responsible for the safety regulations governing acceptable limitations on electronic radiation from laser devices. Datalogic devices are in compliance with the CDRH regulations.

Code Positioning

Variation in code placement that affects the ability of a scanner to read a code. The terms Pitch, Skew, and Tilt deal with the angular variations of code positioning in the X, Y and Z axes. See pars. 3.2.1 and 3.2.5. Variations in code placement affect the pulse width and therefore the decoding of the code. Pulse width is defined as a change from the leading edge of a bar or space to the trailing edge of a bar or space over time. Pulse width is also referred to as a transition. Tilt, pitch, and skew impact the pulse width of the code.

Decode

The process of translating a barcode into data characters using a specific set of rules for each symbology.

Decoder

As part of a barcode reading system, the electronic package which receives the signals from the scanner, performs the algorithm to interpret the signals into meaningful data and provides the interface to other devices. The decoder is normally integrated into the scanner.

EAN

European Article Number System. The international standard barcode for retail food packages.

FLASH

An on-board non-volatile memory chip.

Full Duplex

Simultaneous, two-way, independent transmission in both directions.

Half Duplex

Transmission in either direction, but not simultaneously.

Host

A computer that serves other terminals in a network, providing services such as network control, database access, special programs, supervisory programs, or programming languages.

Interface

A shared boundary defined by common physical interconnection characteristics, signal characteristics and meanings of interchanged signals.

LED (Light Emitting Diode)

A low power electronic device that can serve as a visible or near infrared light source when voltage is applied continuously or in pulses. It is commonly used as an indicator light and uses less power than an incandescent light bulb but more than a Liquid Crystal Display (LCD). LEDs have extremely long lifetimes when properly operated.

Multidrop Line

A single communications circuit that interconnects many stations, each of which contains terminal devices. See RS485.

Parameter

A value that you specify to a program. Typically parameters are set to configure a device to have particular operating characteristics.

Picket-Fence Orientation

When the barcode's bars are positioned vertically on the product, causing them to appear as a picket fence. The first bar will enter the scan window first. See par. 7.2.2.

Pitch

Rotation of a code pattern about the X-axis. The normal distance between center line or adjacent characters. See pars. 3.2.1 and 3.2.5.

Position

The position of a scanner or light source in relation to the target of a receiving element.

Protocol

A formal set of conventions governing the formatting and relative timing of message exchange between two communicating systems.

Raster

The process of projecting the laser beam at varied angles spaced evenly from each other. Typically, the mirrored rotor surfaces are angled to create multiple scan lines instead of a single beam.

Resolution

The narrowest element dimension, which can be distinguished by a particular reading device or printed with a particular device or method.

RS232

Interface between data terminal equipment and data communication equipment employing serial binary data interchange.

RS485

Interface that specifies the electrical characteristics of generators and receivers for use in balanced digital multipoint systems such as on a Multidrop line.

Scanner

A device that examines a printed pattern (barcode) and either passes the uninterpreted data to a decoder or decodes the data and passes it onto the Host system.

Serial Port

An I/O port used to connect a scanner to your computer, identifiable by a 9-pin or 25-pin connector.

Signal

An impulse or fluctuating electrical quantity (i.e.: a voltage or current) the variations of which represent changes in information.

Skew

Rotation about the Y-axis. Rotational deviation from correct horizontal and vertical orientation; may apply to single character, line or entire encoded item. See pars. 3.2.1 and 3.2.5.

Step-Ladder Orientation

When the barcode's bars are positioned horizontally on the product, causing them to appear as a ladder. The ends of all bars will enter the scan window first. See par. 7.2.1.

Symbol

A combination of characters including start/stop and checksum characters, as required, that form a complete scannable barcode.

Tilt

Rotation around the Z axis. Used to describe the position of the barcode with respect to the laser scan line. See pars. 3.2.1 and 3.2.5.

Trigger Signal

A signal, typically provided by a photoelectric sensor or proximity switch, which informs the scanner of the presence of an object within its reading zone.

UPC

Acronym for Universal Product Code. The standard barcode type for retail food packaging in the United States.

Visible Laser Diode

A light source used in scanners to illuminate the barcode symbol. Generates visible red light at wavelengths between 630 and 680 nm.

INDEX

2

25-Pin Cable Electrical Connections, 55

A

Accessories, 24

Advanced Code Reconstruction (ACR-Lite), 84

Auxiliary RS232 Interface, 48, 66

C

CBX Electrical Connections, 37

CE Compliance, viii

Cleaning, 94

Code Verifier, 52, 70

D

DS2400N Description, 15

F

FCC Compliance, vii

G

General View, x

GFC-200, 30

GFC-2020, 28

GFC-2100, 29

Glossary, 100

H

Handling, viii

I

ID-NET™, 76

ID-NET™ Cables, 43, 61

ID-NET™ Interface, 43, 61

ID-NET™ Network Termination, 48, 66

ID-NET™ Response Time, 44, 62

Inputs, 49, 67

Installation, 25

L

Laser Safety, vi

LEDs, 16

Linear Code Reading, 88

M

Main Serial Interface, 38, 56

Mechanical Installation, 26

Model Description, 23

Mounting DS2400N, 27

Multiplexer Layout, 83

O

Outputs, 52, 70

P

Package Contents, 25

Pass-Through, 74

Patents, v

Performance, 90

Picket-Fence Mode, 89

Point-to-Point, 72

Positioning, 36

Power Supply, vii, 38, 56

R

Reading Diagrams, 91

Reading Features, 84

References, v

Reset Scanner, 22

RS232 Interface, 39, 57

RS232 Master/Slave, 82

RS485 Full Duplex, 40, 58

RS485 Half Duplex, 41, 59

S

Step-Ladder Mode, 88

Subzero Temperature Models, 22

Support Through The Website, v

T

Technical Features, 98

Troubleshooting, 95

Typical Layouts, 72

X

X-PRESS™ Human Machine Interface, 19

**Datalogic Automation S.r.l.**

Via Lavino 265

40050 Monte San Pietro

Bologna - Italy

www.automation.datalogic.com*declares that the***DS2400N; Laser Scanner***and all its models**are in conformity with the requirements of the European Council Directives listed below:***2004 / 108 / EC EMC Directive***This Declaration is based upon compliance of the products to the following standards:***EN 55022 (CLASS A ITE), DECEMBER 2010:***INFORMATION TECHNOLOGY EQUIPMENT
RADIO DISTURBANCE CHARACTERISTICS
LIMITS AND METHODS OF MEASUREMENTS***EN 61000-6-2, SEPTEMBER 2005:***ELECTROMAGNETIC COMPATIBILITY (EMC)
PART 6-2: GENERIC STANDARDS - IMMUNITY FOR INDUSTRIAL
ENVIRONMENTS*

Monte San Pietro, January 24th, 2012

Paolo Morselli
Quality Manager

**Datalogic Automation S.r.l.**

Via Lavino 265

40050 Monte San Pietro

Bologna - Italy

www.automation.datalogic.com*declares that the***OM2000N; Oscillating Mirror Laser Scanner***and all its models**are in conformity with the requirements of the European Council Directives listed below:***2004 / 108 / EC EMC Directive***This Declaration is based upon compliance of the products to the following standards:***EN 55022 (CLASS A ITE), DECEMBER 2010:***INFORMATION TECHNOLOGY EQUIPMENT
RADIO DISTURBANCE CHARACTERISTICS
LIMITS AND METHODS OF MEASUREMENTS***EN 61000-6-2, SEPTEMBER 2005:***ELECTROMAGNETIC COMPATIBILITY (EMC)
PART 6-2: GENERIC STANDARDS - IMMUNITY FOR INDUSTRIAL
ENVIRONMENTS*

Monte San Pietro, January 26th, 2012

Paolo Morselli
Quality Manager

**Datalogic Automation S.r.l.**

Via Lavino 265

40050 Monte San Pietro

Bologna - Italy

www.automation.datalogic.com*declares that the*

CBX100; Connection Box Compact
CBX500; Connection Box Modular
BM100; Backup module
BM150; Display module

*and all its models**are in conformity with the requirements of the European Council Directives listed below:***2004 / 108 / EC EMC Directive***This Declaration is based upon compliance of the products to the following standards:***EN 55022 (CLASS A ITE), DECEMBER 2010:***INFORMATION TECHNOLOGY EQUIPMENT
RADIO DISTURBANCE CHARACTERISTICS
LIMITS AND METHODS OF MEASUREMENTS***EN 61000-6-2, SEPTEMBER 2005:***ELECTROMAGNETIC COMPATIBILITY (EMC)
PART 6-2: GENERIC STANDARDS - IMMUNITY FOR INDUSTRIAL
ENVIRONMENTS*

Monte San Pietro, January 20th, 2012

Paolo Morselli
Quality Manager

**Datalogic Automation S.r.l.**

Via Lavino 265

40050 Monte San Pietro

Bologna - Italy

www.automation.datalogic.com*declares that the***QLxxx and QLMxxx; Connection module***and all its models**are in conformity with the requirements of the European Council Directives listed below:***2004 / 108 / EC EMC Directive***This Declaration is based upon compliance of the products to the following standards:***EN 55022 (CLASS A ITE), DECEMBER 2010:***INFORMATION TECHNOLOGY EQUIPMENT
RADIO DISTURBANCE CHARACTERISTICS
LIMITS AND METHODS OF MEASUREMENTS***EN 61000-6-2, SEPTEMBER 2005:***ELECTROMAGNETIC COMPATIBILITY (EMC)
PART 6-2: GENERIC STANDARDS - IMMUNITY FOR INDUSTRIAL
ENVIRONMENTS*

Monte San Pietro, January 20th , 2012

Paolo Morselli
Quality Manager



 **DATALOGIC**

www.datalogic.com